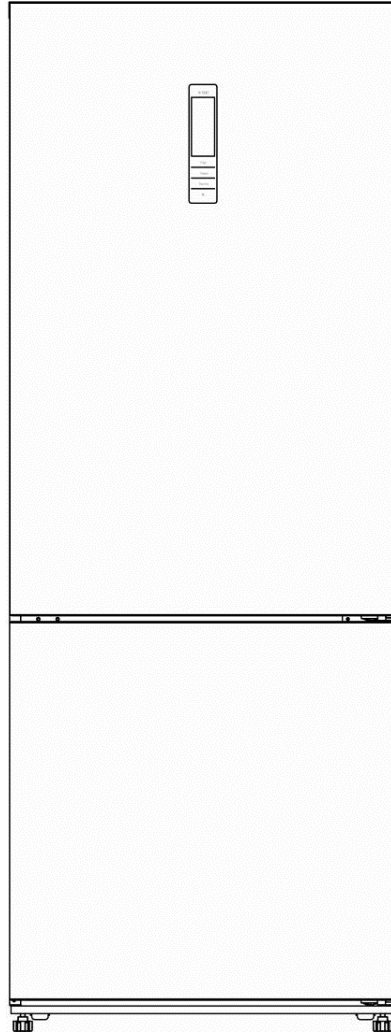


svan

USER MANUAL



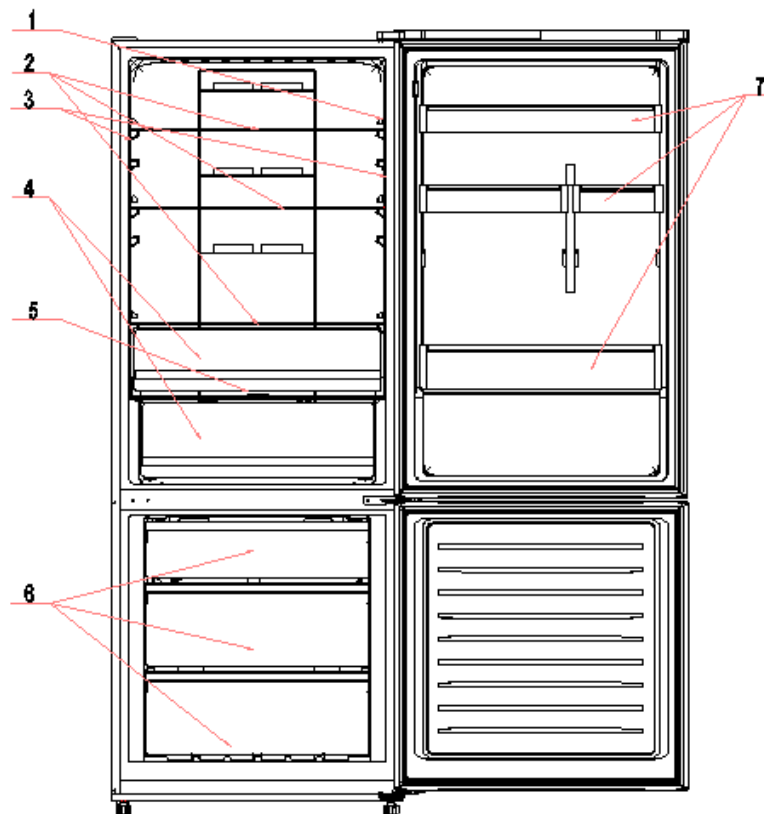
REFRIGERATOR

**Model No.: SVF1972NFDX
SVF1972NFCS**

INTRODUCTION

Before use

Please read these instructions and the Safety guidelines on page 1 carefully before using your new Fridge/Freezer. The Fridge/Freezer is for indoor, domestic use only.



No	Description
1	Lighting switch
2	Cooling room shelves
3	Light
4	Vegetable and fruit crisper
5	Vegetable and fruit crisper cover
6	Freezing drawers
7	Door balcony

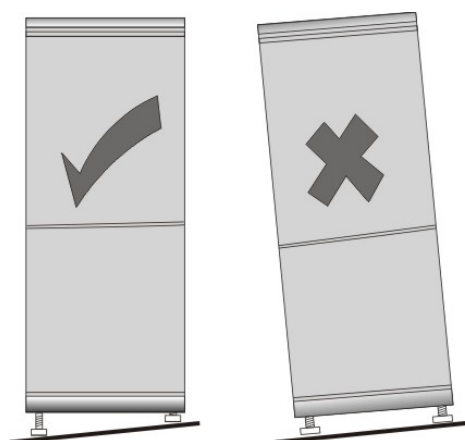
INSTALLATION

Location

When selecting a position for your Fridge/Freezer you should make sure the floor is flat and firm, and the room is well ventilated with an average room temperature of between 16°C and 43°C. Avoid locating your Fridge/Freezer near a heat source, eg, cooker, boiler or radiator. Also avoid direct sunlight in out-buildings or sun lounges. If you are placing your Fridge/Freezer in an out-building such as a garage or annex ensure that the Fridge/Freezer is placed above the damp course, otherwise condensation will occur on the Fridge/Freezer cabinet. Never place the Fridge/Freezer in a wall recessed or into fitted cabinets or furniture when your Fridge/Freezer is working, the grille at the back may become hot and the sides warm. It must therefore be installed so that the back of the Fridge/Freezer has at least 9cm(3 1/2") of free space and the sides have 2cm(3/4"). Do not drape the Fridge/Freezer with any covering.

Leveling the Fridge/Freezer

If the Fridge/Freezer is not level, the door and magnetic seal alignment will be affected and may cause you Fridge/Freezer to work incorrectly. Once the Fridge/Freezer is placed in its final location, adjust the leveling feet at the front by turning them.



Cleaning before use

Wipe the inside of the Fridge/Freezer with a weak solution of bicarbonate of soda. Then rinse with warm water using a damp sponge or cloth. Wash the baskets and shelves in warm soapy water and dry completely before replacing in the Fridge/Freezer. The external parts of the Fridge/Freezer can be cleaned with wax polish.

Before plugging in YOUMUST

Check that you have a socket which is compatible with the plug supplied with the Fridge/Freezer. If not see the section called ELECTRICAL INFORMATION

Before switching on!

DO NOT SWITCH ON UNTIL FOUR HOURS AFTER MOVING THE FRIDGE/FREEZER. The coolant fluid needs time to settle. If the appliance is switched off at any time, wait 30 minutes before switching back on to allow the coolant fluid to settle.

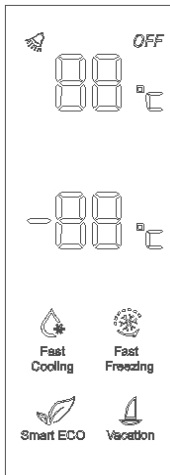
Before filling your Fridge/Freezer

Before storing foods in your Fridge/Freezer, turn the Fridge/Freezer on and wait for 24 hours, to make sure it is working properly and to allow the Fridge/Freezer to fail to the correct temperature.

START Testing

1. Clean the parts of the refrigerator with lukewarm water containing a little neutral detergent and with clear water, and wipe them dry.

Notes: Electric parts of the refrigerator can only be wiped by dry cloth.



2. Turn on electricity. The compressor begins to work.

3. Open the door 30 minutes later, if the temperature in the refrigerator decreased obviously, it shows that the refrigerator system works well. When the refrigerator operates for a period of time, the temperature controller will automatically set the temperature within limits it opens.

The display is located in the middle of the refrigerator door. Please refer to the below figure for the layout.

introduction of the buttons

- (1) Fridge: to set the refrigerator temperature
- (2) Freezer: to set the freezer temperature
- (3) Function: to choose functions of fast cooling, fast freezing, intelligence and vacation
- (4) OK: to enter or to quit the existing function setting

★ appliance connected to power at the first time

When the appliance is connected to power at the first time, the display will be lit for 2 seconds before going normal and the appliance runs with intelligence function.

★ display control

When the refrigerator door is closed and there is no button operation in 3 minutes, the display light goes off.

When the display light is off, open the refrigerator door or click any button to light it up.

★temperature setting

1) Click the “refrigerator” or “freezer” button and when it flickers in the symbol, temperatures can be set; each time when the button is clicked, the temperature changes accordingly (the display shows the temperature accordingly).

(Temperatures cannot be set under functions of fast cooling, fast freezing, intelligence and vacation.)

2) Under temperature setting, if there is no button operation in 5 seconds, the button stops flickering and the set temperature comes into effect.

3)Temperature cycle

Refrigerator: 2°C→3°C→4°C→5°C→6°C→7°C→8°C→OFF→2°C;

Freezer: -24°C→-23°C→-22°C→-21°C→-20°C→-19°C→-18°C→-17°C→-16°C→-24°C;

★intelligence

Under intelligence, it is 4°C in the refrigerator and -18°C in the freezer.

Temperatures cannot be changed and you can click the temperature zone button to check the temperature.

1) To enter intelligence

Click “option” until it flickers and then click “OK” to enter this function.

2) To quit intelligence

Under intelligence, click “option” until it goes to intelligence, click “OK” to quit this function and the light goes off.

Temperatures of each chamber go back to the value before intelligence function.

★fast cooling

Under fast cooling, it is 2°C in the refrigerator and the refrigerator temperature cannot be changed.

1)To enter fast cooling

Click “option” until it flickers in “fast cooling” and then click “OK” to enter this function.

2) To quit fast cooling

Under fast cooling, click “option” until it goes to “fast cooling” and then click “OK” to quit this function.

The light in fast cooling goes off and the refrigerator temperature goes back to the value before fast cooling.

★fast freezing

Under fast freezing, refrigerator temperature can be set but not for the freezer temperature.

1) To enter fast freezing

Click “option” until it flickers in “fast freezing” and then click “OK” to enter this function.

2) To quit fast cooling

Under fast freezing, click “option” until it goes to “fast freezing” and then click “OK” to quit this function.

The light in fast freezing goes off and the freezer temperature goes back to the value before fast freezing.

When fast freezing time is up (26 hours), it quits automatically.

When it goes to intelligence, fast freezing stops.

★vacation

Under vacation, it is 14°C in the refrigerator and the temperatures in this chamber cannot be changed.

1) To enter vacation

Click “option” until it flickers in “fast freezing” and then click “OK” to enter this function.

2) To quite vacation

Under vacation, click “option” until it goes to “vacation” and then click “OK” to quit this function. The light in vacation goes off and the refrigerator temperature goes back to the value before vacation.

Vacation quits under functions of intelligence and fast cooling.

★power off memory

With this design, the refrigerator can automatically keep all the setting in case of power off. When the unit is plugged in again, the refrigerator will run with the setting before power off.

★Power-On Delay

To prevent harm to the refrigerator in case of sudden power cut and power on, the unit does not start immediately if the power off time is less than 5 minutes.

★Freezer over-temperature alarm (only in case of power on)

When the freezer temperature is higher than 10°C at the first time connected to power, the symbol light of the freezer chamber goes on and the number representing temperature flickers. Press any button or wait for 5 seconds, flickering stops and it goes back to the temperature that was set.

★Refrigerator door opening alarm

When the refrigerator is open over 3 minutes, the buzzer will buzz. Close the door or press any button to stop the alarm, but for the latter, the alarm will go off again after 3 minutes.

★Sensor fault alarm

When it shows “E0”, “E1”, “E2” or other abnormal symbols, it means sensor faults and the refrigerator needs repair.

IN USE

Tips for keeping food perfect in the Fridge

Take extra care with meat and fish

Cooked meats should always be stored on a shelf above raw meats to avoid bacterial transfer. Keep raw meats on a plate which is large enough to collect juices and cover it with cling film or foil.

Leave space around food

This allows cold air to circulate around the Fridge, ensuring all parts of the Fridge are kept cool.

Wrap up food!

To prevent transfer of flavors and drying out, food should be separately packed or covered. Fruit and vegetables need not be wrapped.

Pre-cooked food should be cooled properly

Allow pre-cooked food to cool down before placing in the Fridge. This will help to stop the internal temperature of the Fridge from rising.

Shut the door!

To prevent cold air escaping, try to limit the number of times you open the door. When returning from shopping, sort foods to be kept in your Fridge before opening the door. Only open the door to put food in or take it out.

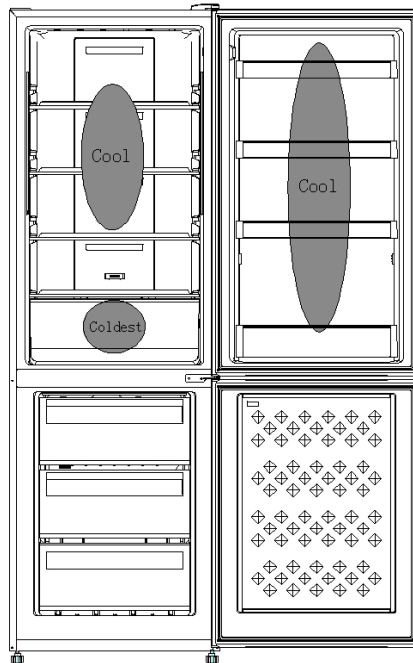
Where to store your foods in the fridge**Cool area**

This is where to store foods which will keep longer if they are kept cool. Milk, eggs, yogurt, fruitjuices, hard cheeses eg. Cheddar. Opened jars and bottles of salad dressings, sauces and jams. Fats, eg. Butter, margarine, low-fat spreads, cooking fats and lard.

Coldest area: 2°C to 5°C

This is where foods which must be cold to keep them safe should be kept:

- Raw and uncooked foods should always be wrapped.
- Pre-cooked chilled foods, eg. Ready meals, meat pies, soft cheeses.
- Pre-cooked meats eg. Ham,
- Prepared salads(including pre-packed mixed green salads, rice, potato salad etc).
- Desserts, eg. Fromage frais, home-prepared food and leftovers or cream cakes.



Salad bin

This is the most humid part of the Fridge. Vegetables, fruit, fresh salad items eg. Unwashed whole lettuce, whole tomatoes, radishes etc can be stored here.

WE RECOMMEND THAT ALL PRODUCE KEPT IN THE SALAD BIN IS WRAPPED.

NOTE: Always wrap and store raw meat, poultry and fish on the lowest shelf at the bottom of the fridge. This will stop them dripping onto, or touching other foods. Do not store inflammable gasses or liquids in the fridge.

Tips for shopping for frozen foods

Your Freezer is 4 star 

When you are buying frozen food, look at the Storage Guidelines on the packaging. You will be able to store each item of frozen food for the period shown against the 4 star rating. This is usually the period stated as “Best, Before”, found on the front of the packaging.

Check the Fridge/Freezer temperature

Check the temperature of the frozen food cabinet in the shop where you buy your frozen foods. It should show a temperature lower than -18°C .

Choose packs carefully

Make sure the frozen food package is in perfect condition.

Purchase frozen food last

Always buy frozen products last on your shopping trip or visit to the supermarket.

Keep frozen foods together

Try to keep frozen food together whilst shopping, and on the journey home as this will help to keep the food cooler.

Store food straight away

Don't buy frozen food unless you can freeze it straight away. Special insulated bags can be bought from most supermarkets and hardware shops. These keep frozen food cold for longer.

Thawing frozen food

For some foods, thawing before cooking is unnecessary. Vegetables and pasta can be added directly to boiling water or steam cooked. Frozen sauces and soups can be put into a saucepan and heated gently until thawed.

Freezing fresh foods, useful tips

Use quality food and handle it as little as possible. Freeze food in small quantities, it freezes faster, takes less time to thaw and enables you to eat it in the quantity you need.

Freezing fresh foods

First, estimate the amount of food you will be freezing. If you are freezing large amounts of fresh food, remember to turn the control dial to Max. This will lower the temperature in the Freezer (approx -30°C), freezing your food quicker and helping to keep the goodness in. However you should do this sparingly to conserve energy.

Preparations for freezing

Leave cooked food to cool completely.

Chill food in a Fridge before freezing if possible.

Consider how you want to cook the food before freezing it.

Don't freeze food in metal containers as you may want to microwave it straight from the Freezer.

Use special Freezer bags available from supermarkets, Freezer film, polythene bags, plastic containers, aluminum foil for acidic foods(such as citrus fruits).

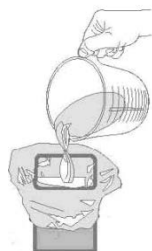
Do not use thin cling film or glass. Do not use used food containers (unless cleaned thoroughly first).

Exclude as much air from the container as possible. You could buy a special vacuum pump which sucks excessive air out of the packaging.

Leave a small amount of "air space" when freezing liquids, to allow for expansion.

You can use the space in the Freezer most efficiently if you freeze liquids(or solids with liquids, such as stew) in square blocks.

This is known as "performing" Pour the liquid into a polythene bag which is inside a square sided container. Freeze it like this, then remove it from the container and seal the bag.



Defrosting

This appliance is designed as automatic defrosting ,no need to defrost by hand.

Recommended storage periods

For recommended food storage time, refer to the information given on your food packaging.

Cleaning inside the Fridge/Freezer

You should clean the Fridge/Freezer internally with a weak solution of bicarbonate of soda. Then rinse with warm water using a damp sponge or cloth and wipe dry. Wash the baskets in warm soapy water and ensure they are completely dry before replacing in the Fridge/Freezer.

Cleaning outside the Fridge/Freezer

Use standard non-abrasive detergent diluted in warm water to clean the Fridge/Freezer exterior.

The grille of the condenser at the back of the Fridge/Freezer and the adjacent components can be vacuumed using a soft brush attachment.

Do not use harsh cleaners, scouring pads or solvents to clean any part of the Fridge/Freezer

TROUBLESHOOTING AND MAINTENANCE

Trouble Shooting

Power cut

If the internal temperature of the Fridge/Freezer compartment is -18°C or less when the power returns, your food is safe. The food in your Fridge/Freezer will remain frozen for approx 16 hours with the door closed. Do not open the Fridge/Freezer door more than necessary.

The Fridge/Freezer is exceptionally cold

You may have accidentally set the refrigerator temperature to a higher position.

The Fridge/Freezer is exceptionally warm

The compressor may not be working. Set the refrigerator temperature to maximum setting and wait a few minutes. If there is no humming noise, it is not working. Contact the local store where your purchase was made.

The Fridge/Freezer is not working

Check it is plugged in and switched on. Check that the fuse in the plug has not blown. Plug In another appliance, such as a lamp, to see if the socket is working. The Fridge/Freezer should be placed in a well ventilated room with an ambient temperature of between 16°C and 32°C. Leave the Fridge/Freezer for 30 minutes.

Condensation appears on the outside of the Fridge/Freezer

This may be due to a change in the room temperature. Wipe off any residue of moisture. If the problem continues contact the local store where your purchase was made.

GURGLING, WHOOSHING

These noises are caused by the circulation of the refrigerant liquid in the cooling system. It has become more pronounced since the introduction of CFC free gases. This is not a fault and will not affect the performance of your Fridge/Freezer.

HUMMING, PURRING OR PULSATING

This is the compressor motor working, as it pumps the refrigerant around the system.

Servicing

This product should be serviced by an authorized engineer and only genuine spare parts should be used.

Under no circumstances should you attempt to repair the appliance yourself.

Repairs carried out by inexperienced persons may cause injury or serious malfunctioning. Contact the local store where your purchase was made.

When the appliance is not in use for long periods, disconnect from the electricity supply, empty all foods and clean the appliance, leaving the door ajar to prevent unpleasant smells.

Lamp Replacement

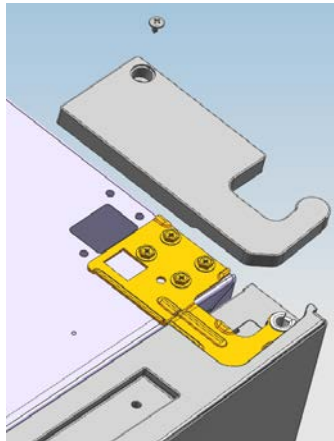
LED light is used in this appliance, which with low energy consumption & long life.

If anything abnormal, please contact after-sale service for help.

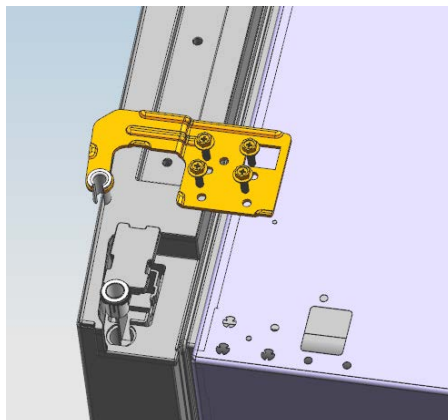
Reversing the Door Swing

—: Disassemble the refrigerator/freezer door

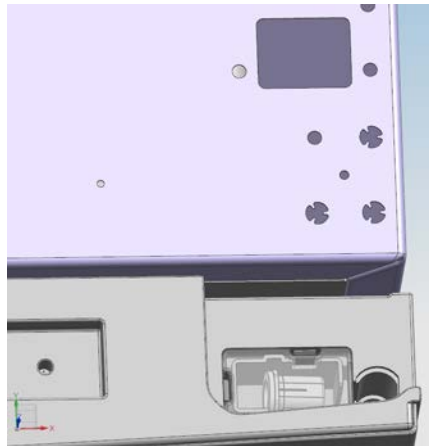
1. a. Use a tool to remove the screw off the hinge cover, and then remove the latter.
Insert the communication line to the hole on the cabinet top.



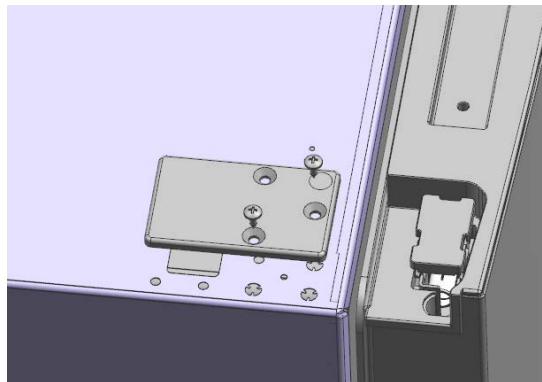
-
- b. Use a tool to remove the 4 screws off the upper hinge cover and then remove the latter.
Pry up the door bush and small end cap cover on the door.



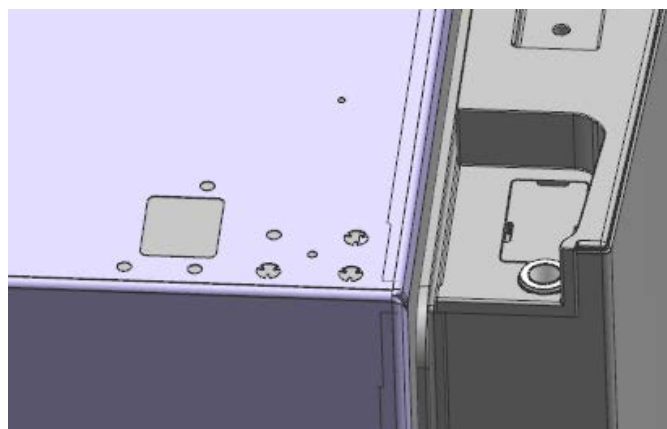
c. Insert the door bush and door communication line into the hole on the door and then put on the small end cap cover.



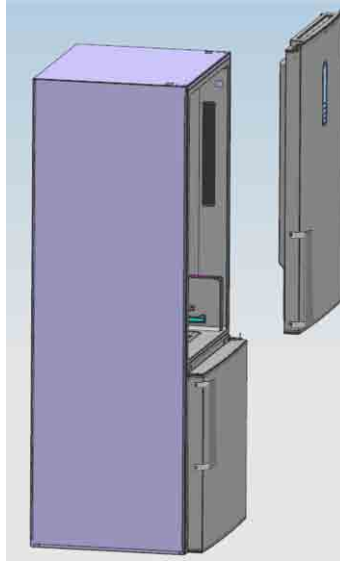
d. Use a tool to remove the 2 screws as shows in the below figure to remove the hole cover on the cabinet top and get the cabinet communication line out of the hole. Pry up the small end cap cover on the door and get out the door bush and door communication line.



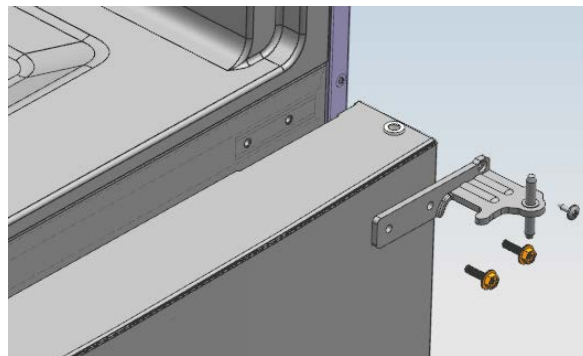
e. Insert the door bush into the round hole on the door and then put on the small end cap cover.



f. Move the refrigerator door upward over 50mm to remove the door.



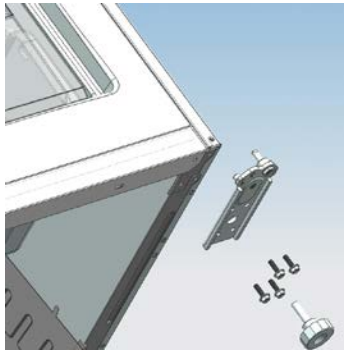
2. a. Use a tool to remove the 3 screws off the middle hinge cover and then remove the middle hinge.



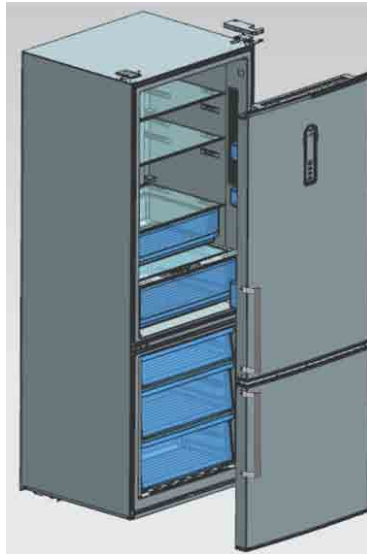
- b. move the freezer door upward over 50mm to remove the door.



- c. Remove the adjustable front feet under the lower hinge; use a tool to remove the 4 screws from the lower hinge and then disassemble the lower hinge.

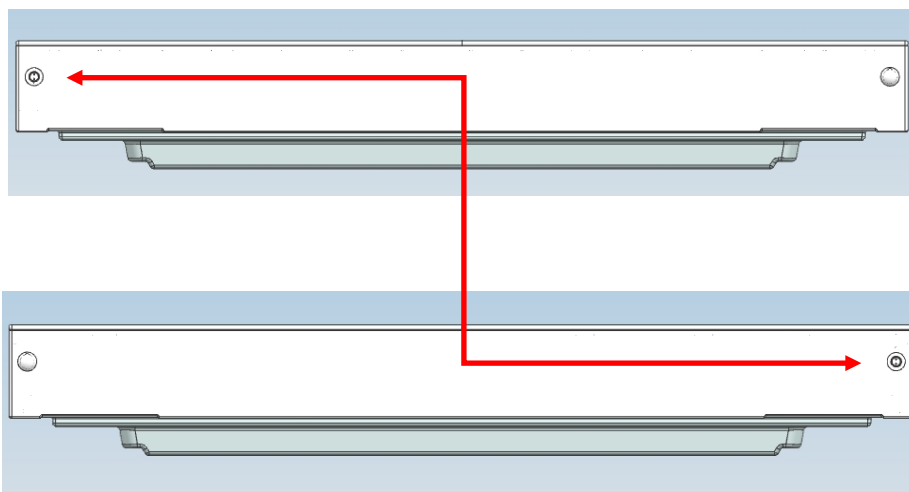


Door disassembly is finished.

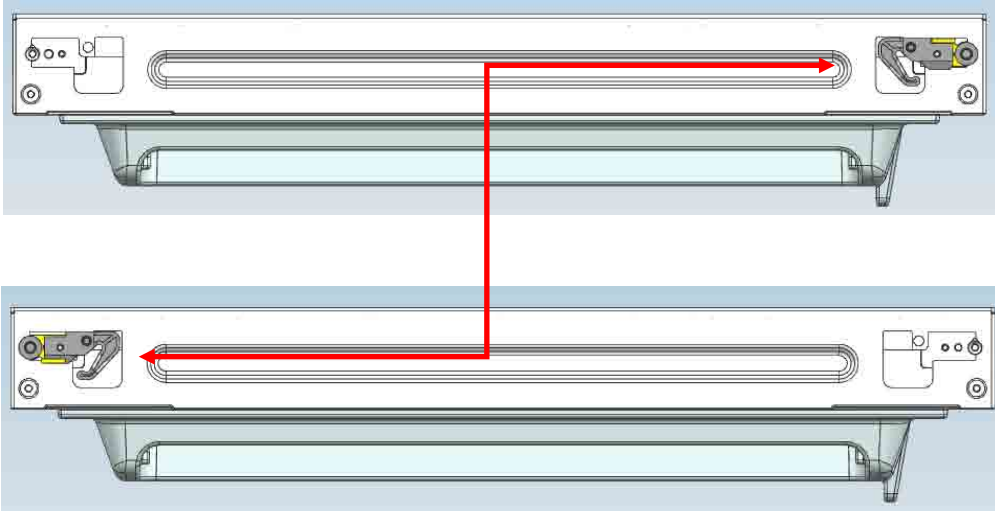


二: Assemble the door, lower hinge accessories to the corresponding positions of the other side.

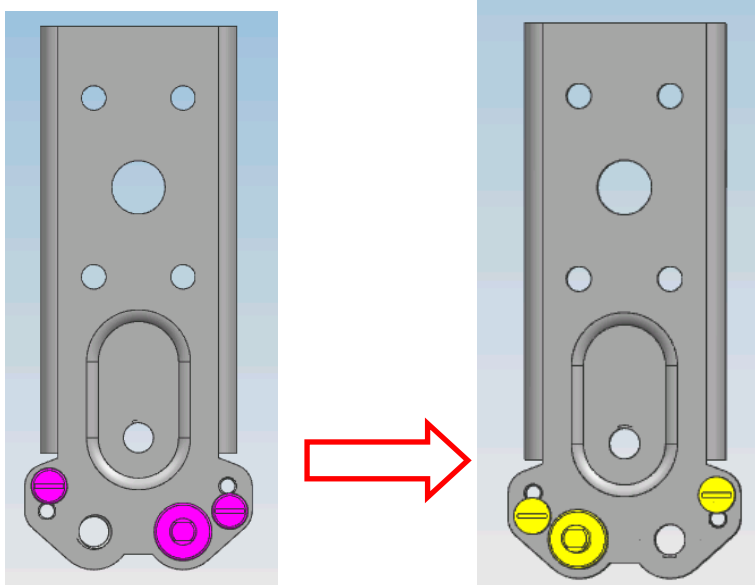
1. a. Use a tool to get the door bush out as shown in the below figure and assemble it to the corresponding position of the other side.



-
- b. Use a tool to remove the screws off the stopper ass as shown in the below figure and then assemble them to the other side of the door.

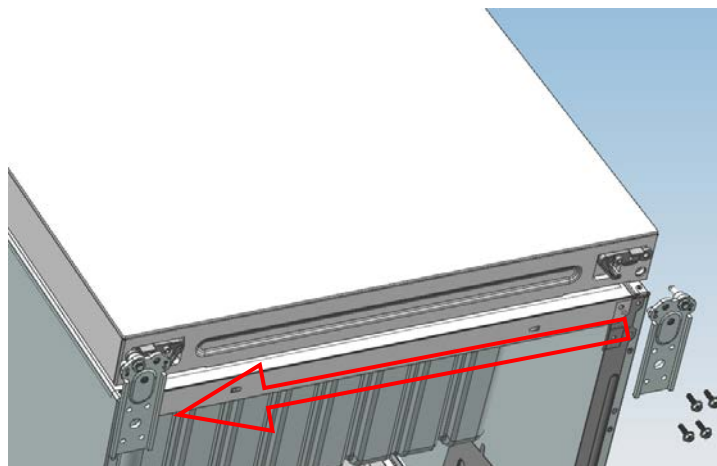


c. Use a tool to remove the axle and two stoppers on the lower hinge and then assemble them to the position as shown in the below figure.

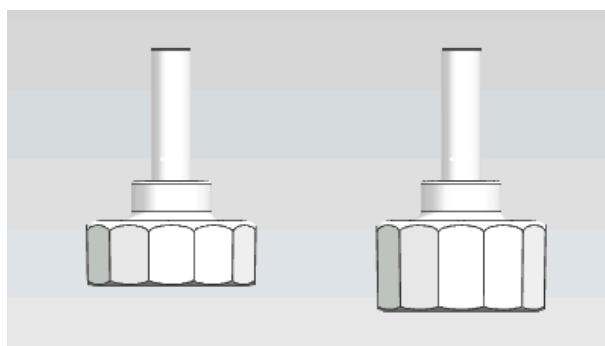


三: Assemble the refrigerator door and freezer door to the opposite side.

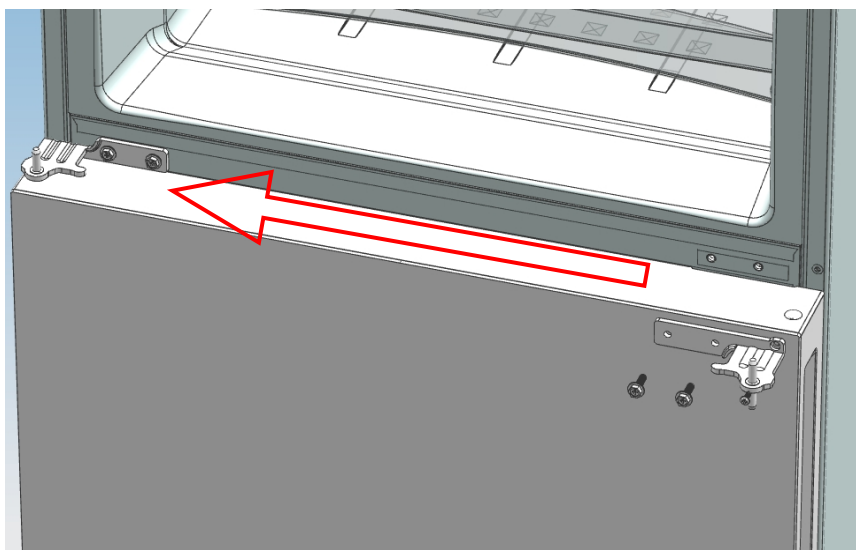
1、 a. Remove the adjustable front foot as shown below by hand and then assemble the lower hinge to the other side of the cabinet and fix the screws by using a tool.



b. Assemble the shorter adjustable front foot to the lower hinge side and adjust the height of the foot to make the refrigerator stay in level.

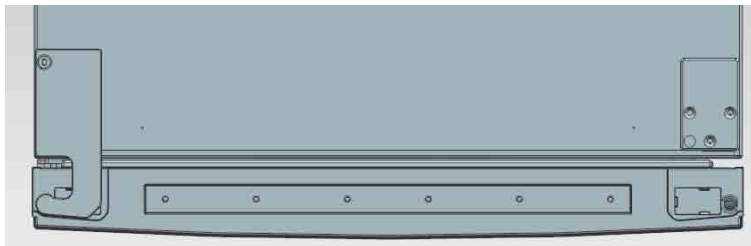


2. Put on the freezer door and turn the middle hinge by 180 °C and then assemble it to the other side of the cabinet; use a tool to screw up the 3 screws to fix the middle hinge.



3. Put on the refrigerator door and assemble the left upper hinge to the other side of the cabinet; use a tool to screw up the 4 screws to fix the upper hinge. After that, connect the door communication line and the cabinet communication line and then put on the left upper hinge cover and fix it using a screw.

4、 Assemble the hole cover to the other side of the cabinet and use a tool to screw up the hole cover.

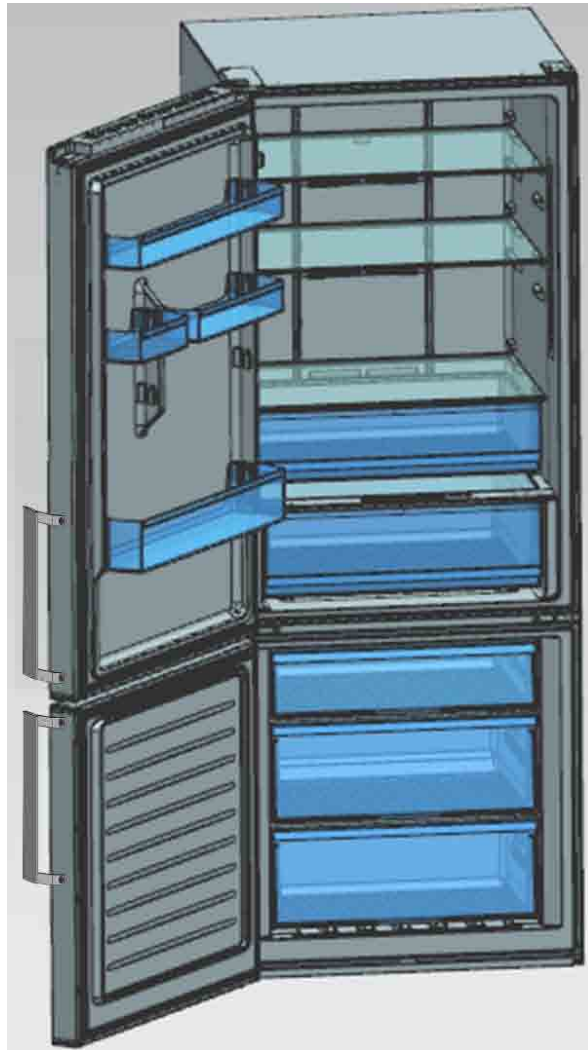


Door disassembly is finished here.

figure of door opening from the right



figure of door opening from the left

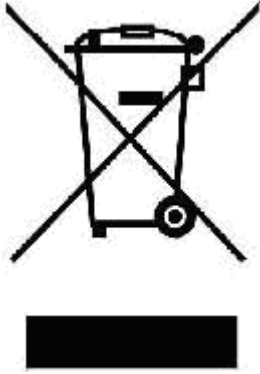


Double check that the door is aligned correctly and all the seals are closed on all sides. If necessary, re-adjust the levelling feet.

NOTE: If you want to have the door swing reversed, we recommend that you contact a qualified technician. You should only try to reverse the door yourself if you believe that you are qualified to do so.

All parts removed must be saved to do the reinstallation of the door. You should rest the fridge freezer on something solid so that it will not slip during the door change process. Do not lay the fridge freezer flat as this may damage the coolant system. Ensure the fridge freezer is unplugged and empty. We recommend that 2 people handle the fridge freezer during assembly.

Correct Disposal of this product

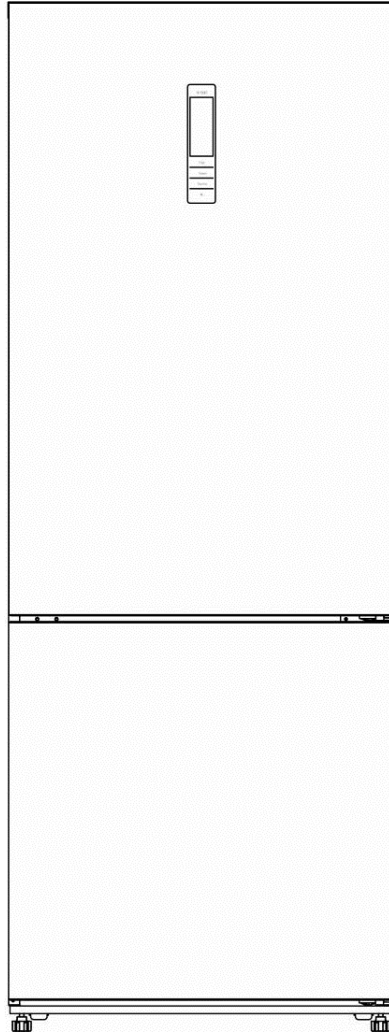


This marking indicates that this product should not be disposed with other household wastes throughout the EU. To prevent possible harm to the environment or human health from uncontrolled waste disposal, recycle it responsibly to promote the sustainable reuse of material resources. To return your used device, please use the return and collection systems or contact the retailer where the product was purchased. They can take this product for environmental safe recycling.

SVAN TRADING S.L.
C/Ciudad de Cartagena,20. Paterna (46988) SPAIN.
info@svanelectro.com

svan

MANUAL DE USUARIO



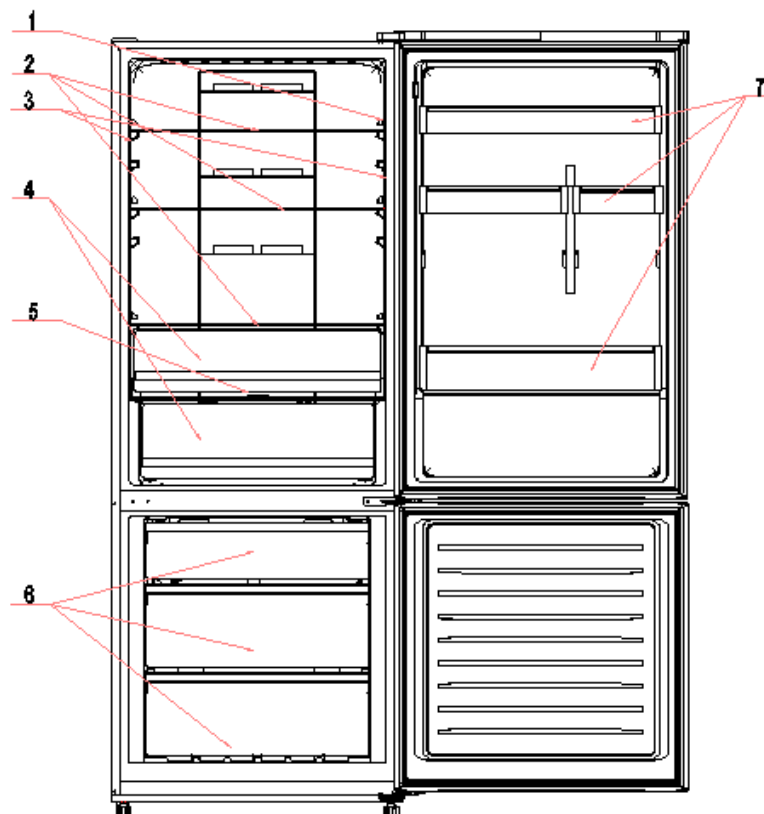
FRIGORÍFICO COMBI

**Model No.: SVF1972NFDX
SVF1972NFCS**

INTRODUCCIÓN

Antes de usar

Lea atentamente estas instrucciones y las pautas de seguridad en la página 1 antes de utilizar su nuevo refrigerador / congelador. El refrigerador / congelador es para uso interno y doméstico solamente.



No	Descripción
1	Interruptor de luz
2	Baldas de cristal
3	Luz
4	Cajón para frutas y verduras
5	Tapadera del cajón de frutas y verduras
6	Cajón del congelador
7	Estantes de puerta

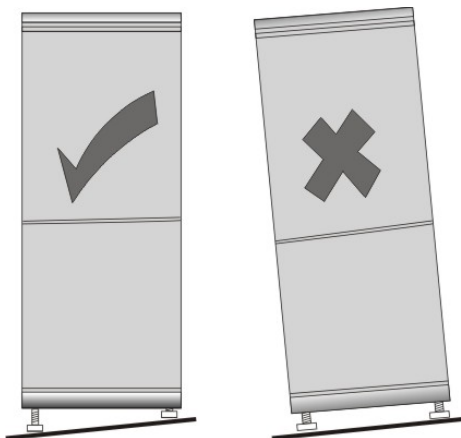
INSTALACIÓN

Ubicación

Al seleccionar una posición para su Nevera / Congelador, debe asegurarse de que el suelo sea plano y firme, y que la habitación esté bien ventilada, con una temperatura ambiente de entre 16 °C y 43 °C Evite ubicar su Nevera / Congelador cerca de una fuente de calor, p. Ej., Cocina, caldera o radiador. También evite la luz solar directa en edificios exteriores o salones de sol. Si está colocando su Nevera / Congelador en un garaje o un anexo, asegúrese de que el Refrigerador / Congelador esté colocado sobre el circuito húmedo, de lo contrario se producirá condensación en el Refrigerador / Congelador. Nunca coloque el refrigerador / congelador en una pared empotrada o en armarios empotrados o muebles cuando su refrigerador / congelador esté funcionando, la rejilla en la parte posterior puede calentarse. Por lo tanto, debe instalarse de modo que la parte posterior del refrigerador / congelador tenga al menos 9 cm de espacio libre y los lados tengan 2 cm. No cubra el refrigerador / congelador con ninguna cubierta.

Nivelar

Si el refrigerador / congelador no está nivelado, la alineación de la puerta y del sello magnético se verá afectada y puede causar que el refrigerador / congelador funcione incorrectamente. Una vez que el refrigerador / congelador se coloca en su ubicación final, ajuste las patas niveladoras girándolas.



Limpeza antes del uso

Limpe el interior del refrigerador / congelador con una solución débil de bicarbonato de sodio. Luego enjuague con agua tibia usando una esponja o paño húmedo. Lave las cestas y estantes en agua jabonosa tibia y seque completamente antes de volver a colocarlos en el refrigerador / congelador. Las partes externas del refrigerador / congelador se pueden limpiar con cera para pulir.

Antes de enchufar, DEBE

Verifique que tenga un enchufe que sea compatible con el enchufe suministrado con el refrigerador / congelador. Si no, mire la sección llamada INFORMACIÓN ELÉCTRICA.

Antes de enchufar!

NO ENCIENDA HASTA CUATRO HORAS DESPUÉS DE HABER MOVIDO EL REFRIGERADOR / CONGELADOR.

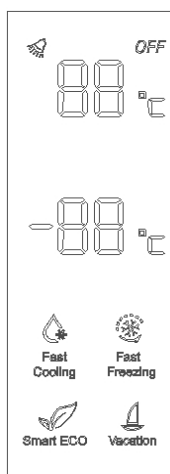
El fluido refrigerante necesita tiempo para asentarse. Si el aparato se apaga en cualquier momento, espere 30 minutos antes de volver a encenderlo para permitir que se asiente el líquido refrigerante.

Antes de llenar su refrigerador / congelador

Antes de guardar los alimentos en su refrigerador / congelador, encienda el refrigerador / congelador y espere 24 horas, para asegurarse de que esté funcionando correctamente y para permitir que el refrigerador / congelador esté a la temperatura correcta.

START Testing

1. Limpie las partes del refrigerador con agua tibia que contenga un poco de detergente neutro y con agua limpia, y límpielas.



Notas: Las partes eléctricas del refrigerador sólo se pueden limpiar con un paño seco.

2. Encienda la electricidad. El compresor comienza a funcionar.

3. Abra la puerta 30 minutos más tarde, si la temperatura en el refrigerador disminuyó, obviamente muestra que el sistema del refrigerador funciona bien. Cuando el refrigerador funciona durante un período de tiempo, el controlador de temperatura establecerá automáticamente la temperatura dentro de los límites que se abre.

La pantalla está ubicada en el medio de la puerta del refrigerador. Por favor, consulte la figura a continuación.

introducción de los botones

(1) Nevera: para configurar la temperatura del refrigerador

(2) Congelador: para configurar la temperatura del congelador

(3) Función: para elegir funciones de enfriamiento rápido, congelación rápida, inteligencia y vacaciones

(4) OK: para ingresar o salir de la función existente
ajuste de función

★ Cuando el dispositivo se conecta por primera vez, la pantalla se iluminará durante 2 segundos antes de que sea normal y el dispositivo se ejecutará con la función de inteligencia.

★ Control del display.

Cuando la puerta del refrigerador está cerrada y no hay botón de operación en 3 minutos, el display se apaga.

Cuando la luz del display esté apagada, abra la puerta del refrigerador o haga clic en cualquier botón para encenderla.

★Ajuste de temperatura.

1) Haga clic en el botón "refrigerador" o "congelador" y cuando parpadee el símbolo, se pueden establecer las temperaturas; cada vez que se hace clic en el botón, la temperatura cambia (la pantalla muestra la temperatura).

(Las temperaturas no se pueden configurar en función de enfriamiento rápido, congelación rápida, inteligente y vacaciones)

2) En la configuración de temperatura, si no hay operación de botón en 5 segundos, el botón deja de parpadear y la temperatura establecida entra en vigencia.

3) Ciclo de temperatura

Refrigerador: 2 °C → 3 °C → 4 °C → 5 °C → 6 °C → 7 °C → 8 °C → OFF → 2 °C;

Congelador: -24 °C → -23 °C → -22 °C → -21 °C → -20 °C → -19 °C → -18 °C → -17 °C → -16 °C → -24 °C;

★Función inteligente

En ésta función, la temperatura que se establece es de 4 °C en el refrigerador y -18 °C en el congelador.

Las temperaturas no se pueden cambiar y puede hacer clic en el botón de la zona de temperatura para verificar la temperatura.

1) Para entrar en el modo inteligente

Haga clic en "opción" hasta que parpadee y luego haga clic en "Aceptar" para ingresar en ésta función.

2) Para salir de este modo

Haga clic en "opción" hasta que ingrese en Función inteligente. Haga clic en "Aceptar" para salir de esta función y la luz se apagará.

Las temperaturas de cada cámara vuelven al valor que tenían antes de la función de inteligencia.

★ Enfriamiento rápido

Bajo enfriamiento rápido, es de 2 °C en el refrigerador y la temperatura del refrigerador no se puede cambiar.

1) Para entrar en enfriamiento rápido

Haga clic en "opción" hasta que parpadee en "enfriamiento rápido" y luego haga clic en "Aceptar" para ingresar a esta función.

2) Para salir.

En enfriamiento rápido, haga clic en "opción" hasta que pase a "enfriamiento rápido" y luego haga clic en "Aceptar" para salir de esta función.

La luz de enfriamiento rápido se apaga y la temperatura del refrigerador vuelve al valor antes de un enfriamiento rápido.

★ congelación rápida

Bajo congelación rápida, la temperatura del refrigerador puede ajustarse, pero no para la temperatura del congelador.

1) Entrar en congelación rápida

Haga clic en "opción" hasta que parpadee en "congelación rápida" y luego haga clic en "Aceptar" para ingresar a esta función.

2) Para salir de un enfriamiento rápido

En congelación rápida, haga clic en "opción" hasta que pase a "congelación rápida" y luego haga clic en "Aceptar" para salir de esta función.

La luz en la congelación rápida se apaga y la temperatura del congelador vuelve al valor que había antes de la congelación rápida.

Cuando el tiempo de congelación rápido es superior (26 horas), se cierra automáticamente.

Cuando se trata de inteligencia, la congelación rápida se detiene.

★ vacaciones

En vacaciones, la temperatura es de 14 °C en el refrigerador y no se puede cambiar.

1) Entrar en modo vacaciones

Haga clic en "opción" hasta que parpadee en "congelación rápida" y luego haga clic en "Aceptar" para ingresar a esta función.

2) Vacaciones

En vacaciones, haga clic en "opción" hasta que pase a "vacaciones" y luego haga clic en "Aceptar" para salir de esta función.

La luz de vacaciones se apaga y la temperatura del refrigerador vuelve al valor antes de las vacaciones.

Éste modo se cierra bajo funciones de inteligencia y enfriamiento rápido.

★ memoria de apagado

Con este diseño, el refrigerador puede mantener automáticamente todo el ajuste en caso de apagado. Cuando la unidad se enchufa nuevamente, el refrigerador funcionará con la configuración antes de apagarla.

★ Retraso de encendido

Para evitar daños al refrigerador en caso de corte repentino de energía y encendido, la unidad no arranca inmediatamente si el tiempo de apagado es de menos de 5 minutos.

★ Alarma de sobrecalentamiento del congelador (solo en caso de encendido)

Cuando la temperatura del congelador es superior a 10 °C la primera vez que se conecta a la corriente, la luz de la cámara del congelador se enciende y el número que representa la temperatura parpadea.

Presione cualquier botón o espere 5 segundos, el parpadeo se detiene y vuelve a la temperatura establecida.

★ alarma de apertura de la puerta del refrigerador

Cuando el refrigerador está abierto durante 3 minutos, sonará una alarma. Cierre la puerta o presione cualquier botón para detener la alarma, pero para este último, la alarma se activará de nuevo después de 3 minutos.

★ alarma de fallo del sensor

Cuando muestra "E0", "E1", "E2" u otros símbolos anormales, significa que hay un fallo en el sensor y el refrigerador necesita reparación.

EN USO

Consejos para mantener la comida perfecta en el refrigerador

Tenga especial cuidado con la carne y el pescado

Las carnes cocinadas siempre deben almacenarse en un estante por encima de las carnes crudas para evitar la transferencia bacteriana. Mantenga las carnes crudas en un plato que sea lo suficientemente grande como para recolectar los jugos y cúbralo con papel film o papel de aluminio.

Deje espacio alrededor de la comida

Esto permite que el aire frío circule alrededor del refrigerador, asegurando que todas las partes del refrigerador se mantengan frescas.

¡Envuelve la comida!

Para evitar la transferencia de sabores y la desecación, los alimentos deben envasarse o cubrirse por separado. Las frutas y verduras no necesitan ser envueltas.

La comida precocinada debe enfriarse adecuadamente

Deje que los alimentos precocinados se enfríen antes de colocarlos en el refrigerador. Esto ayudará a evitar que la temperatura interna del refrigerador suba.

¡Cerrar la puerta!

Para evitar que escape el aire frío, intente limitar la cantidad de veces que abre la puerta. Cuando regrese de las compras, clasifique los alimentos que debe conservar en su refrigerador antes de abrir la puerta. Solo abra la puerta para poner comida o sacarla.

Dónde guardar tus alimentos en el refrigerador

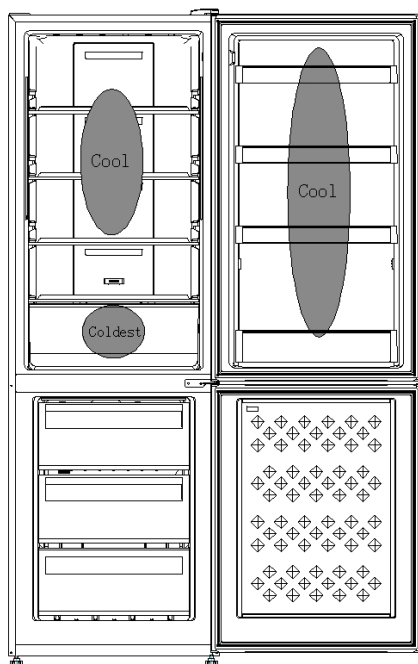
Área fría

Aquí es donde debe almacenar alimentos que se mantendrán más tiempo si se mantienen frescos. Leche, huevos, yogurt, jugos de frutas, quesos duros, por ej. Queso Cheddar. Frascos y botellas de aderezos para ensalada, salsas y mermeladas. Grasas, ej. Mantequilla, margarina, grasas bajas en grasa, grasas de cocina y manteca de cerdo.

Área más fría: 2 °C a 5 °C

Aquí es donde deben conservarse los alimentos que deben estar fríos para mantenerlos seguros:

- Las comidas crudas y crudas siempre deben ser envueltas.
- Alimentos refrigerados precocinados, ej. Platos preparados, pasteles de carne, quesos blandos.
- Carnes precocinadas, por ej. Jamón,
- Ensaladas preparadas (incluidas las ensaladas verdes mixtas preenvasadas, arroz, ensalada de papas, etc.).
- Postres



Ensaladera

Esta es la parte más húmeda de la nevera. Vegetales, frutas, ensaladas frescas, por ejemplo. Lechugas enteras sin lavar, tomates enteros, rábanos, etc. se pueden almacenar aquí.

RECOMENDAMOS QUE TODOS LOS PRODUCTOS MANTENIDOS EN LA ENSALADA SE ENVUELVEN.

NOTA: Siempre envuelva y almacene carne cruda, aves y pescado en el estante más bajo en la parte inferior del refrigerador. Esto evitará que goteen o toquen otros alimentos. No almacene gases o líquidos inflamables en el refrigerador.

Consejos para comprar alimentos congelados

El congelador es de 4 estrellas ★★★★★

Cuando compre alimentos congelados, consulte las Pautas de almacenamiento en el empaque. Podrá almacenar cada artículo de comida congelada durante el período que se muestra en comparación con la calificación de 4 estrellas. Este suele ser el período indicado como "Mejor, antes", que se encuentra en la parte frontal del paquete.

Verifique la temperatura del refrigerador / congelador

Verifique la temperatura del gabinete de alimentos congelados en la tienda donde compra sus alimentos congelados. Debería mostrar una temperatura inferior a -18 °C.

Elija los paquetes cuidadosamente

Asegúrese de que el paquete de alimentos congelados esté en perfectas condiciones.

Compra de comida congelada por última vez

Siempre compre productos congelados al último en su viaje de compras o visite el supermercado.

Mantenga juntas las comidas congeladas

Trate de mantener los alimentos congelados juntos mientras hace las compras, y en el viaje a casa, ya que esto ayudará a mantener la comida más fresca.

Almacene la comida de inmediato

No compre alimentos congelados a menos que pueda congelarlos de inmediato. Bolsas con aislamiento especial se pueden comprar en la mayoría de los supermercados y ferreterías. Estos mantienen la comida congelada fría durante más tiempo.

Descongelar alimentos congelados

Para algunos alimentos, descongelar antes de cocinar es innecesario. Las verduras y las pastas se pueden agregar directamente al agua hirviendo o al vapor cocinado. Las sopas y salsas congeladas se pueden poner en una olla y calentar suavemente hasta que se descongele.

Congelación de alimentos frescos, consejos útiles

Use alimentos de calidad y manipúlelos lo menos posible. Congele la comida en pequeñas cantidades, se congela más rápido, tarda menos tiempo en descongelarse y le permite comerla en la cantidad que necesita.

Congelación de alimentos frescos

Primero, calcule la cantidad de alimentos que congelará. Si está congelando grandes cantidades de alimentos frescos, recuerde girar el dial de control a Máx. Esto reducirá la temperatura en el congelador (aproximadamente $-30\text{ }^{\circ}\text{C}$), congelará la comida más rápido y ayudará a mantener la bondad. Sin embargo, debe hacerlo con moderación para ahorrar energía.

Preparaciones para congelar

Deje que los alimentos cocinados se enfríen por completo.

Enfríe la comida en un refrigerador antes de congelar si es posible.

Considera cómo quieres cocinar la comida antes de congelarla.

No congele los alimentos en recipientes de metal, ya que es posible que quiera hornear en microondas directamente desde el congelador.

Utilice bolsas especiales para congelar disponibles en supermercados, film congelador, bolsas de polietileno, recipientes de plástico, papel de aluminio para alimentos ácidos (como cítricos).

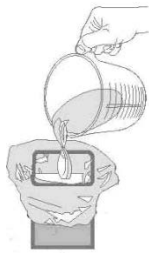
No use película delgada ni vidrio. No use recipientes de comida usados (a menos que los haya limpiado completamente).

Excluya tanto aire del contenedor como sea posible. Podría comprar una bomba de vacío especial que absorba aire excesivo del embalaje.

Deje una pequeña cantidad de "espacio de aire" cuando congele líquidos, para permitir la expansión.

Puede usar el espacio en el congelador de la manera más eficiente si congela líquidos (o sólidos con líquidos, como el estofado) en bloques cuadrados.

Esto se conoce como "rendimiento". Vierta el líquido en una bolsa de polietileno que se encuentra dentro de un recipiente de lados cuadrados. Congélelo así, luego quítelo del contenedor y selle la bolsa.



Defrost (descongelar)

Este electrodoméstico está diseñado como descongelación automática, no es necesario descongelar a mano.

Períodos de almacenamiento recomendados

Para conocer el tiempo de almacenamiento de alimentos recomendado, consulte la información que figura en su paquete de alimentos.

Limpieza dentro del refrigerador / congelador

Debe limpiar el refrigerador / congelador internamente con una solución débil de bicarbonato de soda. Luego enjuague con agua tibia usando una esponja o paño húmedo y seque. Lave los cestos con agua tibia y jabón y asegúrese de que estén completamente secos antes de volver a colocarlos en el refrigerador / congelador.

Limpieza fuera del refrigerador / congelador

Use detergente estándar no abrasivo diluido en agua tibia para limpiar el exterior del refrigerador / congelador.

La rejilla del condensador en la parte posterior del refrigerador / congelador y los componentes adyacentes se pueden aspirar usando un accesorio de cepillo suave. No use limpiadores fuertes, estropajos o solventes para limpiar cualquier parte del refrigerador / congelador

SOLUCIÓN DE PROBLEMAS Y MANTENIMIENTO

Solución de problemas

Corte de energía

Si la temperatura interna del compartimiento del refrigerador / congelador es de $-18\text{ }^{\circ}\text{C}$ o menos cuando la energía vuelve, la comida está segura. La comida en su refrigerador / congelador permanecerá congelada por aproximadamente 16 horas con la puerta cerrada. No abra la puerta del refrigerador / congelador más de lo necesario.

El refrigerador / congelador es excepcionalmente frío

Es posible que accidentalmente haya colocado la temperatura del refrigerador en una posición más alta.

El refrigerador / congelador es excepcionalmente cálido

El compresor puede no estar funcionando. Ajuste la temperatura del refrigerador a la configuración máxima y espere unos minutos. Si no hay un zumbido, no está funcionando.

Póngase en contacto con la tienda local donde realizó su compra.

El refrigerador / congelador no funciona

Verifique que esté enchufado y encendido. Verifique que el fusible en el enchufe no se haya fundido. Enchufe

En otro dispositivo, como una lámpara, para ver si el socket está funcionando. El refrigerador / congelador debe colocarse en una habitación bien ventilada con una temperatura ambiente de entre 16 °C y 32 °C. Deje el refrigerador / congelador por 30 minutos.

La condensación aparece en el exterior del refrigerador / congelador

Esto puede deberse a un cambio en la temperatura ambiente. Limpie cualquier residuo de humedad. Si el problema continúa, contáctese con la tienda local donde realizó su compra.

Ruidos

Estos ruidos son causados por la circulación del líquido refrigerante en el sistema de enfriamiento. Se ha vuelto más pronunciado desde la introducción de gases libres de CFC. Esto no es una falla y no afectará el rendimiento de su Nevera / Congelador.

Servicio

Este producto debe ser reparado por un ingeniero autorizado y solo se deben usar repuestos originales.

En ningún caso debe intentar reparar el aparato usted mismo.

Las reparaciones llevadas a cabo por personas inexpertas pueden causar lesiones o un mal funcionamiento grave. Póngase en contacto con la tienda local donde realizó su compra.

Cuando el electrodoméstico no esté en uso por períodos prolongados, desconéctelo del suministro eléctrico, vacíe todos los alimentos y limpie el aparato, dejando la puerta entreabierta para evitar olores desagradables.

Reemplazo de la lámpara

La luz LED se usa en este electrodoméstico, que tiene un bajo consumo de energía y una larga vida útil.

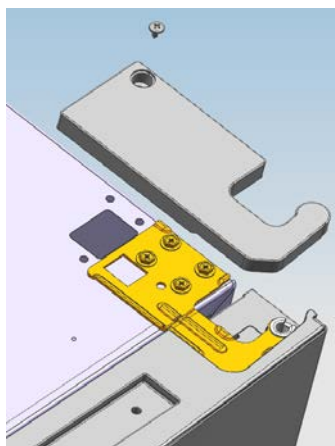
Si hay algo anormal, póngase en contacto con el servicio postventa para obtener ayuda.

Invertir la oscilación de la puerta

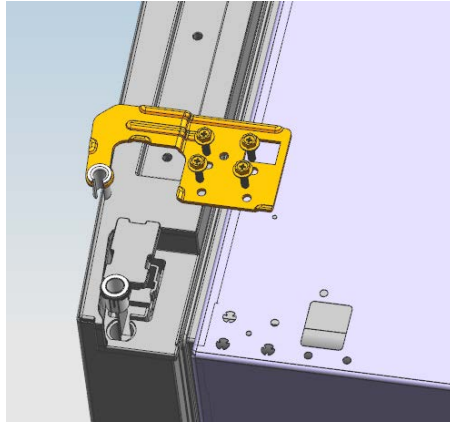
—: Desmontar la puerta del refrigerador / congelador

1. a. Use una herramienta para quitar el tornillo de la cubierta de la bisagra y luego retire la última.

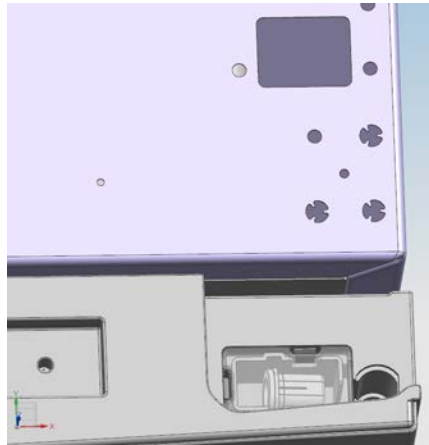
Inserta la línea de comunicación en el agujero en la parte superior del gabinete.



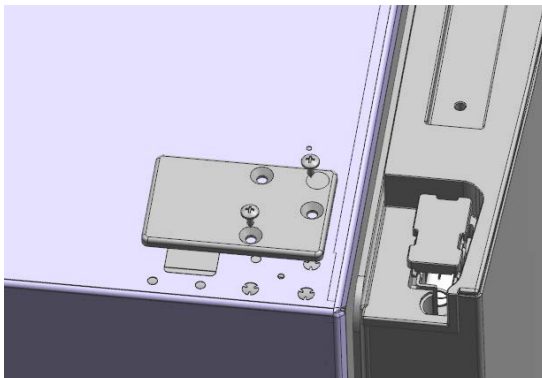
b. Use una herramienta para sacar los 4 tornillos de la parte superior. Levante el casquillo de la puerta y la tapa de la tapa pequeña en la puerta



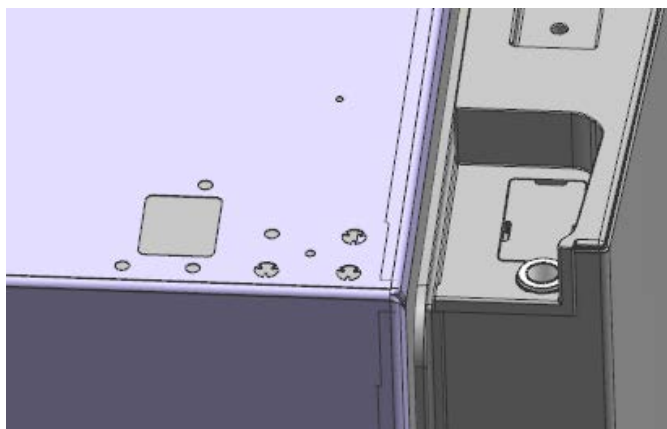
c. Inserte el casquillo de la puerta y la línea de comunicación de la puerta en el orificio de la puerta y luego coloque la tapa de la tapa pequeña.



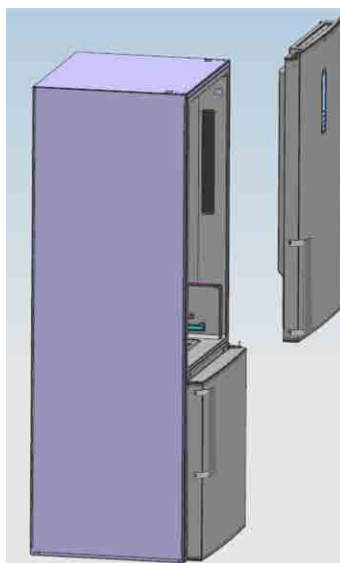
d. Use una herramienta para quitar los 2 tornillos como se muestra en la figura a continuación para quitar la tapa del orificio en la parte superior del gabinete y sacar la línea de comunicación del gabinete del orificio. Levante la tapa de la tapa pequeña de la puerta y salga del casquillo de la puerta y de la línea de comunicación de la puerta.



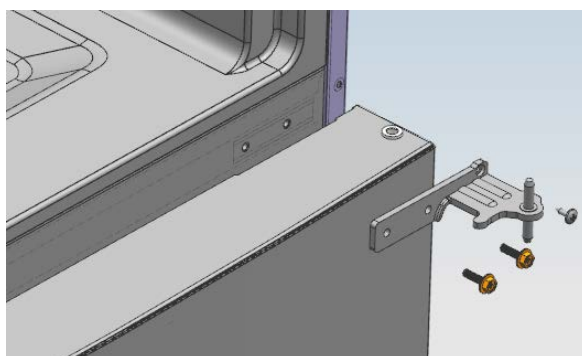
e. Inserte el casquillo de la puerta en el orificio redondo de la puerta y luego coloque la tapa de la tapa pequeña.



f. Mueva la puerta del refrigerador hacia arriba más de 50 mm para quitar la puerta.



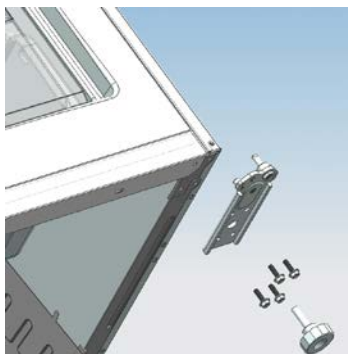
1. a. Use una herramienta para quitar los 3 tornillos de la cubierta de la bisagra del medio y luego retire la bisagra del medio.



b. mueva la puerta del congelador hacia arriba más de 50 mm para quitar la puerta.



c. Retire los pies delanteros ajustables debajo de la bisagra inferior; use una herramienta para quitar los 4 tornillos de la bisagra inferior y luego desmonte la bisagra inferior.

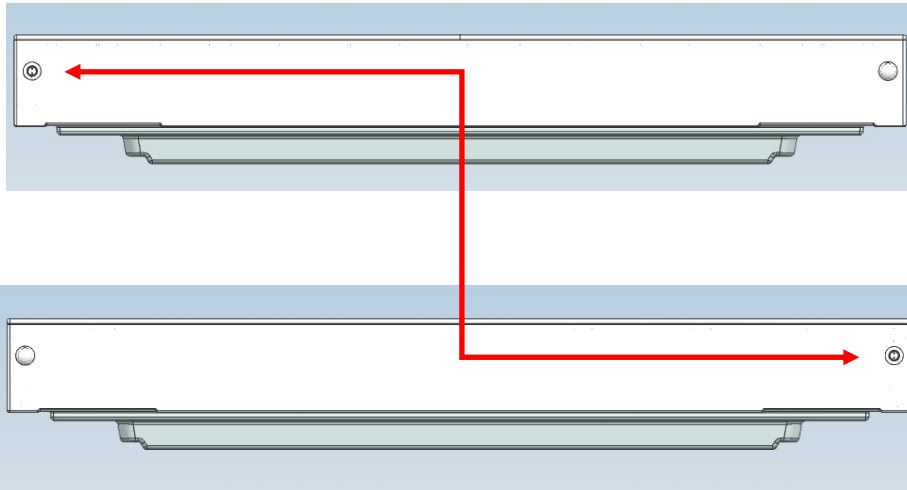


El desmontaje de la puerta está terminado.



1. ☐: Monte la puerta, baje los accesorios de la bisagra a las posiciones correspondientes del otro lado.
2. a. Use una herramienta para sacar el casquillo de la puerta como se muestra en la figura

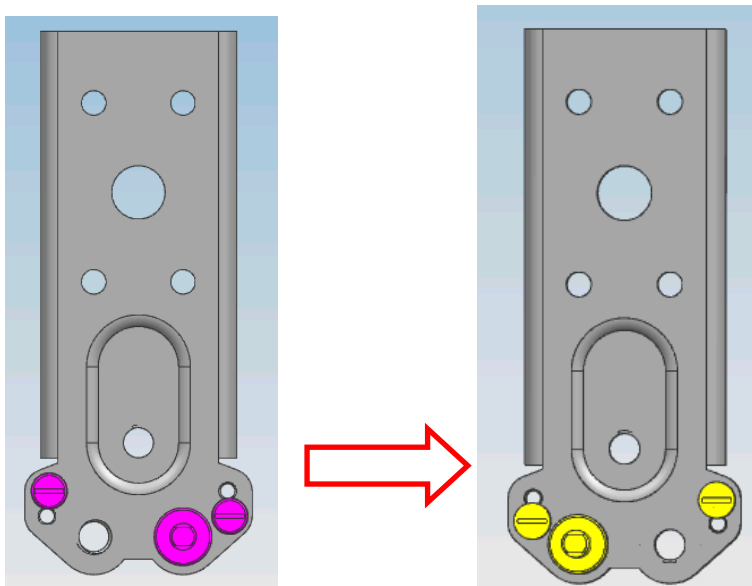
a continuación y móntelo en la posición correspondiente del otro lado.



b. Use una herramienta para quitar los tornillos del asa del tope como se muestra en la figura a continuación y luego armelos al otro lado de la puerta.

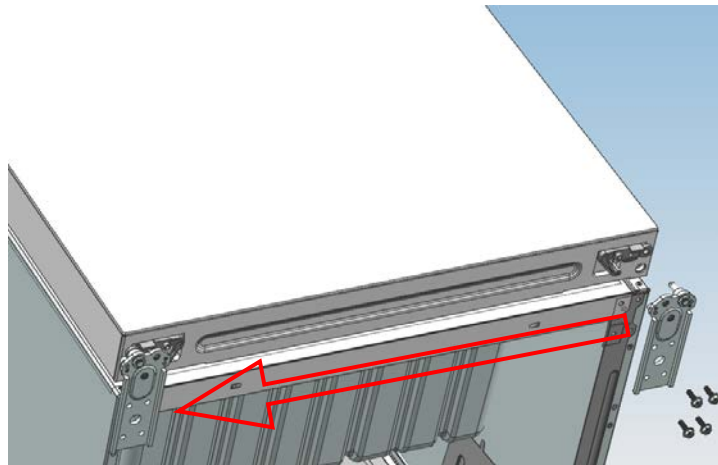


c. Use una herramienta para quitar el eje y los dos tapones en la bisagra inferior y luego, colóquelos en la posición que se muestra en la figura a continuación.

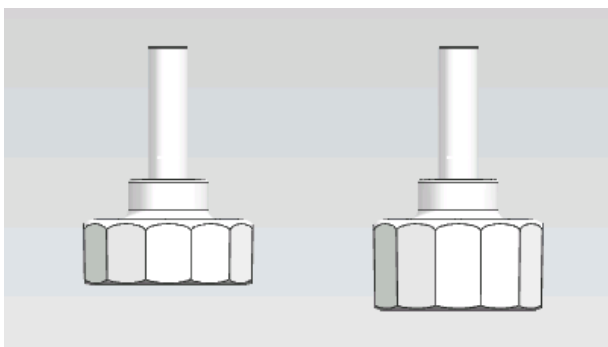


≡: Monte la puerta del refrigerador y la puerta del congelador en el lado opuesto.

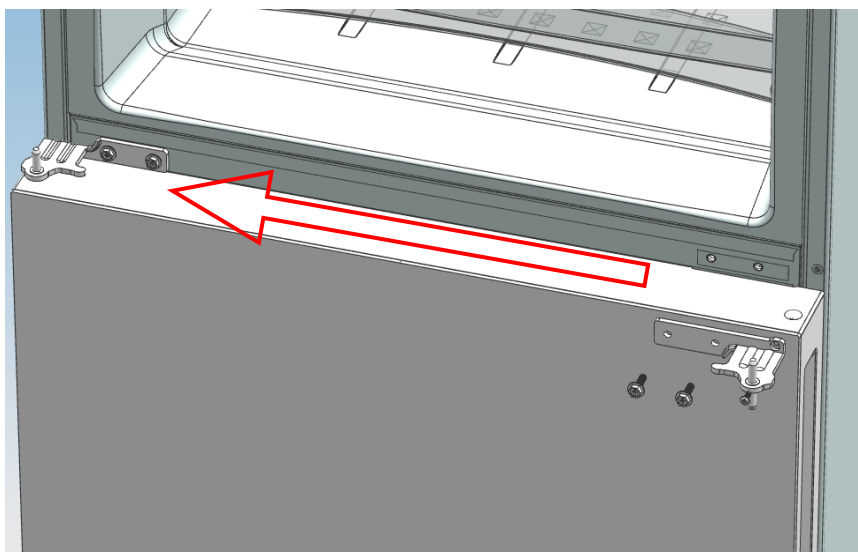
1, a. Retire a mano el pie delantero ajustable como se muestra a continuación y luego monte la bisagra inferior en el otro lado del gabinete y fije los tornillos con una herramienta.



b. Ensamble el pie frontal ajustable más corto en el lado inferior de la bisagra y ajuste la altura del pie para que el refrigerador permanezca nivelado.



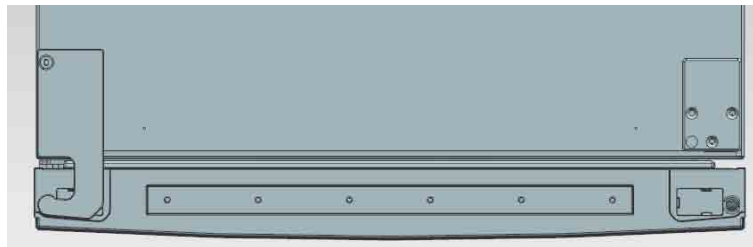
2. Coloque la puerta del congelador y gire la bisagra media 180 °C y luego armela en el otro lado del gabinete; use una herramienta para atornillar los 3 tornillos para fijar la bisagra del medio.



3. Coloque la puerta del refrigerador y monte la bisagra superior izquierda en el otro lado del gabinete; use una herramienta para atornillar los 4 tornillos para arreglar la bisagra superior.

Después de eso, conecte la línea de comunicación de la puerta y la línea de comunicación del gabinete y luego coloque la cubierta superior izquierda de la bisagra y fijela con un tornillo.

4. Ensamble la cubierta del orificio al otro lado del gabinete y use una herramienta para atornillar la tapa del orificio.

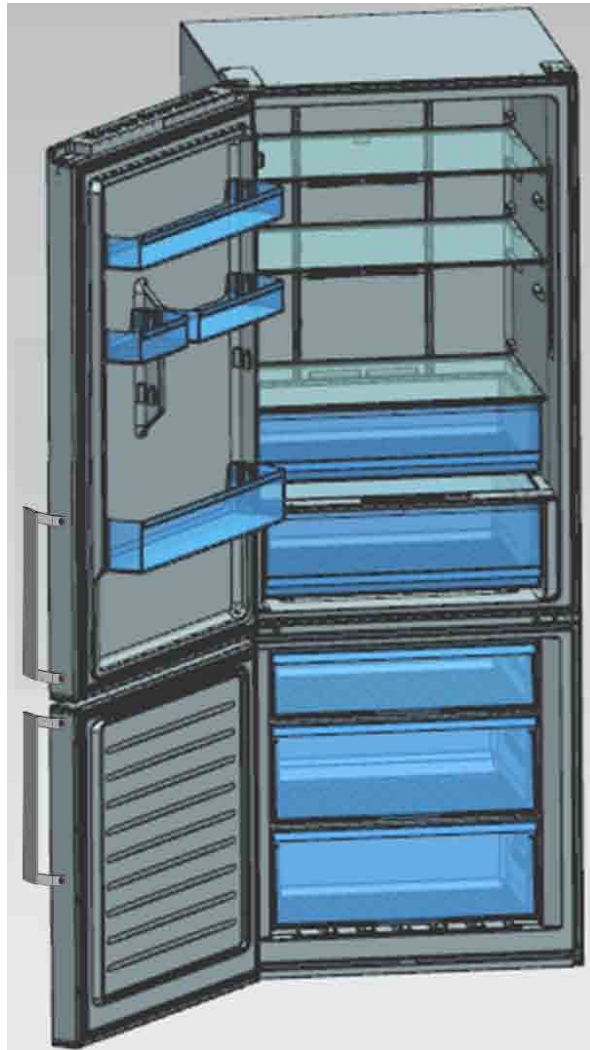


El desmontaje de la puerta queda terminado aquí.

En la figura siguiente se puede ver que la puerta se abre desde la derecha



En la figura siguiente se puede ver que la puerta se abre desde la derecha



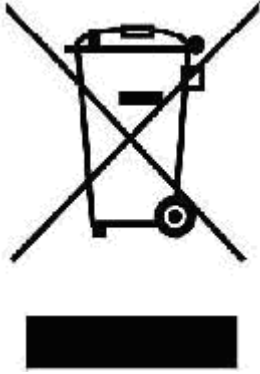


Verifique que la puerta esté alineada correctamente y que todos los sellos estén cerrados por todos lados. Si es necesario, reajuste los pies de nivelación.

NOTA: Si desea que la puerta se balancee hacia atrás, le recomendamos que contacte a un técnico calificado. Solo debe tratar de revertir la puerta usted mismo si cree que está calificado para hacerlo.

Todas las partes eliminadas deben guardarse para hacer la reinstalación de la puerta. Debe apoyar el congelador en algo sólido para que no se deslice durante el proceso de cambio de puerta. No acueste el frigorífico de forma plana ya que podría dañar el sistema de refrigeración. Asegúrese de que el frigorífico congelador esté desenchufado y vacío. Recomendamos que 2 personas manejen el frigorífico durante el montaje.

Correcta eliminación de este producto

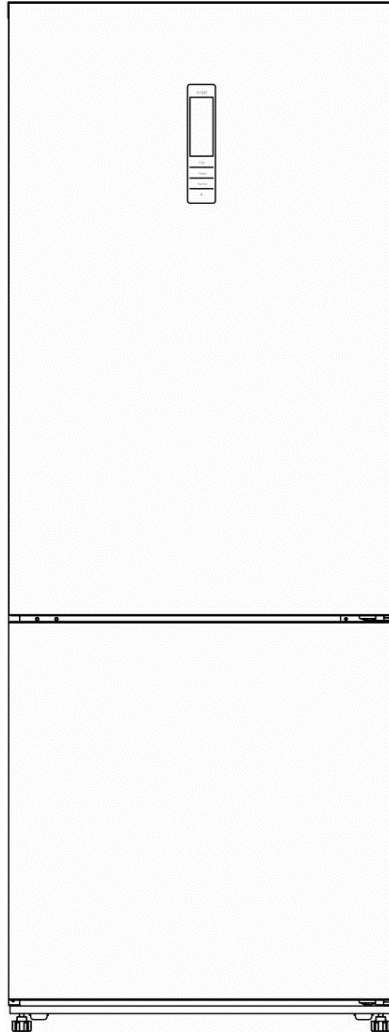


Esta marca indica que este producto no debe eliminarse junto con otros desechos domésticos en toda la UE. Para evitar posibles daños al medioambiente o a la salud humana debido a la eliminación incontrolada de residuos, recíclelo responsablemente para promover la reutilización sostenible de los recursos materiales. Para devolver su dispositivo usado, use los sistemas de devolución y recolección o comuníquese con el vendedor donde compró el producto. Pueden tomar este producto para un reciclaje ambiental seguro.

SVAN TRADING S.L.
C/Ciudad de Cartagena,20. Paterna (46988) SPAIN.
info@svanelectro.com

svan

MANUAL DE USUÁRIO



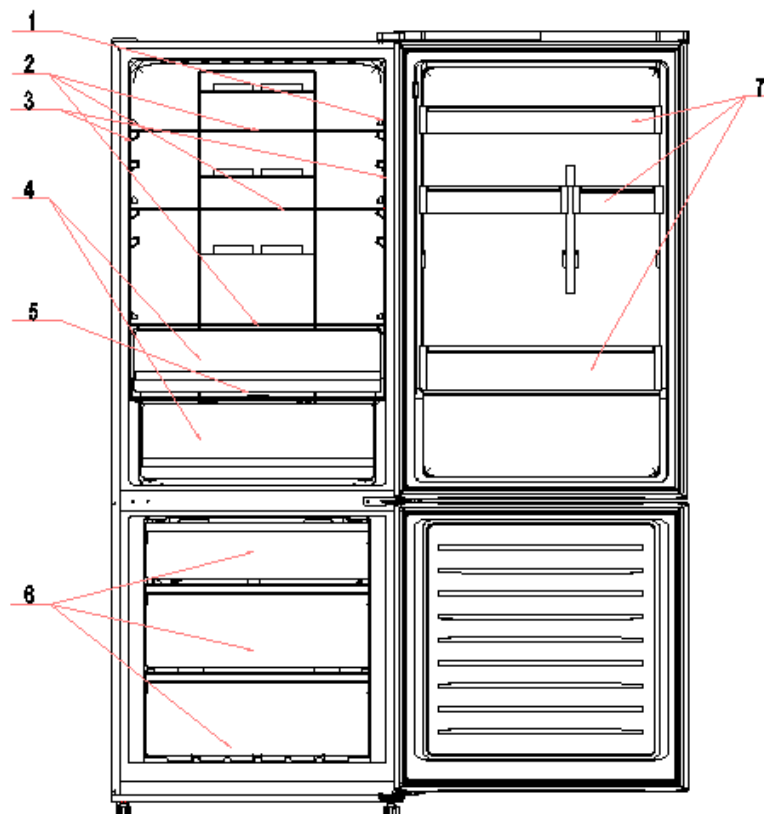
COMBI REFRIGERADOR

Model No.: SVF1972NFDX
SVF1972NFCS

INTRODUÇÃO

Antes de usar

Leia atentamente estas instruções e as orientações de segurança na página 1 antes de utilizar o seu novo frigorífico / congelador. A geladeira / freezer é apenas para uso interno e doméstico.



No	Descrição
1	Interruptor de luz
2	Prateleiras de vidro
3	Light
4	Caixote para frutas e legumes
5	Tampa de gaveta para frutas e legumes
6	Gaveta do congelador
7	Prateleiras de porta

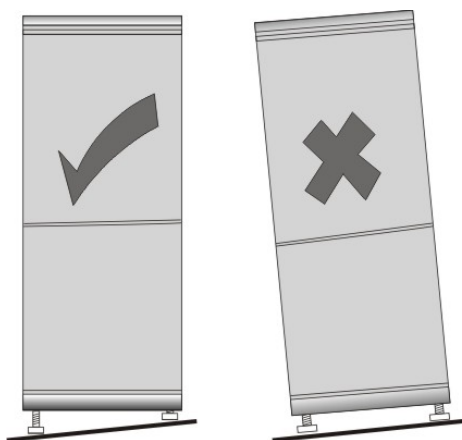
INSTALAÇÃO

Localização

Ao seleccionar uma posição para a sua geladeira / freezer, você deve garantir que o piso seja plano e firme, e que a sala seja bem ventilada, com uma temperatura ambiente entre 16 °C e 43 °C. Evite localizar o seu frigorífico / congelador perto de uma fonte de calor, p. Por exemplo, cozinha, caldeira ou radiador. Evite também a luz direta do sol em edifícios ao ar livre ou salas de sol. Se você estiver colocando sua geladeira / freezer em uma garagem ou em um anexo, certifique-se de que o refrigerador / freezer esteja colocado no circuito úmido, caso contrário, ocorrerá condensação no refrigerador / freezer. Nunca coloque o refrigerador / freezer em uma parede embutida ou em armários embutidos ou móveis quando seu refrigerador / freezer estiver funcionando, a grade na parte de trás pode ficar quente. Portanto, deve ser instalado de modo que a parte de trás do refrigerador / freezer tenha pelo menos 9 cm de espaço livre e as laterais de 2 cm. Não cubra o refrigerador / freezer com qualquer tampa.

Level

Se o refrigerador / freezer não estiver nivelado, o alinhamento da porta e do selo magnético será afetado e poderá causar o mau funcionamento do refrigerador / freezer. Uma vez que o refrigerador / congelador é colocado em seu local final, ajuste as pernas de nivelamento, girando-as.



Limpar antes de usar

Limpe o interior do refrigerador / freezer com uma solução fraca de bicarbonato de sódio. Em seguida, enxágüe com água morna usando uma esponja ou um pano úmido. Lave as cestas e as prateleiras com água morna e sabão e seque-as completamente antes de colocá-las de volta na geladeira / freezer. As partes externas do refrigerador / freezer podem ser limpas com cera de polimento.

Antes de ligar, você DEVE

Verifique se você tem um plugue compatível com o plugue fornecido com o refrigerador / freezer. Se não, veja a seção chamada INFORMAÇÃO ELÉTRICA

Antes de ligar!

NÃO LIGUE ATÉ QUATRO HORAS DEPOIS DE MOVER O REFRIGERADOR / CONGELADOR.

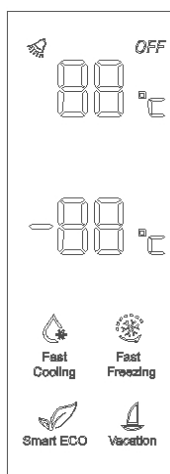
O fluido de resfriamento precisa de tempo para se estabilizar. Se o aparelho desligar a qualquer momento, aguarde 30 minutos antes de ligá-lo novamente para permitir que o refrigerante se estabilize.

Antes de encher sua geladeira / freezer

Antes de armazenar alimentos em sua geladeira / freezer, ligue a geladeira / freezer e espere 24 horas, para garantir que esteja funcionando corretamente e para permitir que o refrigerador / freezer esteja na temperatura correta.

INICIAR Testes

1. Limpe as peças do refrigerador com água morna contendo um pouco de detergente neutro e água limpa, e limpe-as.



Notas: As partes elétricas do refrigerador só podem ser limpas com um pano seco.

2. Ligue a eletricidade. O compressor começa a funcionar.

3. Abra a porta 30 minutos depois, se a temperatura no refrigerador diminuir, isso obviamente mostra que o sistema de refrigeração funciona bem. Quando o refrigerador funcionar por um período de tempo, o controlador de temperatura ajustará automaticamente a temperatura dentro dos limites que abrir.

A tela está localizada no meio da porta da geladeira. Por favor, veja a figura abaixo.

introdução dos botões

(1) Geladeira: para definir a temperatura do refrigerador

(2) congelador: para definir a temperatura do congelador

(3) Função: para escolher funções de resfriamento rápido, congelamento rápido, inteligência e férias

(4) OK: para entrar ou sair da função existente

Ajuste de função

★ Quando o dispositivo é conectado pela primeira vez, a tela acenderá por 2 segundos antes que seja normal e o dispositivo funcionará com a função de inteligência.

★ controle de exibição.

Quando a porta da geladeira está fechada e não há botão de operação em 3 minutos, a tela é desligada.

Quando a luz do visor estiver apagada, abra a porta da geladeira ou clique em qualquer botão para ligá-la.

★Ajuste de temperatura.

1) Clique no botão "frigorífico" ou "congelador" e quando o símbolo piscar, as temperaturas podem ser definidas; cada vez que o botão é clicado, a temperatura muda (o visor mostra a temperatura).

(As temperaturas não podem ser definidas com base no resfriamento rápido, congelamento rápido, inteligente e férias)

2) No ajuste de temperatura, se não houver operação de botão em 5 segundos, o botão pára de piscar e a temperatura definida se torna efetiva.

3) ciclo de temperatura

Frigorífico: 2 → 3 → 4 → 5 → 6 → 7 → 8 → OFF → 2 →; Congelador: -24 °C → -23 °C → -22 °C → -21 °C → -20 °C → -19 °C → -18 °C → -17 °C → -16 °C → -24 °C;

★Função inteligente

Nesta função, a temperatura definida é de 4 °C no frigorífico e de -18 °C no congelador.

As temperaturas não podem ser alteradas e você pode clicar no botão da zona de temperatura para verificar a temperatura.

1) Para entrar no modo inteligente

Clique em "opção" até que pisque e clique em "OK" para entrar nesta função.

2) Para sair deste modo

Clique em "opção" até entrar na função inteligente. Clique em "OK" para sair desta função e a luz será desligada.

As temperaturas de cada câmara retornam ao valor que tinham antes da função de inteligência.

★ Resfriamento rápido

Sob resfriamento rápido, é 2 °C na geladeira ea temperatura do refrigerador não Pode ser alterado.

1) Para entrar em resfriamento rápido

Clique em "opção" até que pisque em "resfriamento rápido" e clique em "OK" para entrar nesta função.

2) Para sair.

Em resfriamento rápido, clique em "opção" até que ele vá para "resfriamento rápido" e clique em "OK" para sair desta função.

A luz de resfriamento rápido se apaga e a temperatura do refrigerador retorna ao valor antes do resfriamento rápido.

★ congelamento rápido

Sob congelamento rápido, a temperatura do refrigerador pode ser ajustada, mas não para a temperatura do congelador.

1) Digite congelamento rápido

Clique em "opção" até que pisque em "quick freeze" e clique em "OK" para entrar nesta função.

2) Para sair de um resfriamento rápido

Em congelamento rápido, clique em "opção" até que vá para "congelamento rápido" e, em seguida, clique em "OK" para sair desta função.

A luz no congelamento rápido é desligada e a temperatura do freezer retorna ao valor anterior ao congelamento rápido.

Quando o tempo de congelamento rápido é maior (26 horas), ele fecha automaticamente.

Quando se trata de inteligência, o congelamento rápido pára.

★ férias

De férias, a temperatura é de 14 °C na geladeira e não pode ser alterada.

1) Entre no modo de férias

Clique em "opção" até que pisque em "quick freeze" e clique em "OK" para entrar nesta função.

2) feriados

De férias, clique em "opção" até que você vá para "férias" e clique em "OK" para sair desta função.

A luz do feriado se apaga e a temperatura do refrigerador retorna ao valor anterior aos feriados.

Este modo fecha sob funções de inteligência e resfriamento rápido.

★ memória de desligamento

Com este design, o refrigerador pode manter automaticamente todo o ajuste em caso de desligamento. Quando a unidade é conectada novamente, o refrigerador irá trabalhar com a configuração antes de desligá-la.

★ atraso de ignição

Para evitar danos à geladeira em caso de falta de energia repentina e ligar a unidade, a unidade não será iniciada imediatamente se o tempo de desligamento for inferior a 5 minutos.

★ alarme de superaquecimento Freezer (apenas no caso de ligar)

Quando a temperatura do freezer é maior que 10 °C na primeira vez que é conectada à energia, a luz na câmara do freezer acende e o número que representa a temperatura pisca. Pressione qualquer botão ou espere 5 segundos, a intermitência pára e retorna à temperatura definida.

★ alarme de abertura da porta da geladeira

Quando o refrigerador estiver aberto por 3 minutos, um alarme soará. Feche a porta ou pressione qualquer botão para parar o alarme, mas para o último, o alarme será ativado novamente após 3 minutos.

★ alarme de falha do sensor

Quando mostra "E0", "E1", "E2" ou outros símbolos anormais, significa que há uma falha no sensor e o refrigerador precisa de reparo.

EM USO

Dicas para manter a comida perfeita na geladeira

TTome especial cuidado com carne e peixe

As carnes cozidas devem sempre ser armazenadas em uma prateleira acima das carnes cruas para evitar a transferência bacteriana. Mantenha as carnes cruas em um prato grande o suficiente para coletar os sucos e cobri-los com película aderente ou papel alumínio.

Deixe espaço ao redor da comida

Isso permite que o ar frio circule ao redor da geladeira, garantindo que todas as partes do refrigerador permaneçam frescas.

Embrulhe a comida!

Para evitar a transferência de sabor e secagem, o alimento deve ser embalado ou coberto separadamente. Frutas e vegetais não precisam ser embrulhados.

Alimentos pré-cozidos devem ser resfriados adequadamente

Deixe os alimentos pré-cozidos esfriarem antes de colocá-los na geladeira. Isso ajudará a evitar que a temperatura interna do refrigerador aumente.

Fechar a porta!

Para evitar a fuga de ar frio, tente limitar o número de vezes que abre a porta. Ao retornar das compras, organize os alimentos que você deve guardar na geladeira antes de abrir a porta. Basta abrir a porta para colocar comida ou tirar.

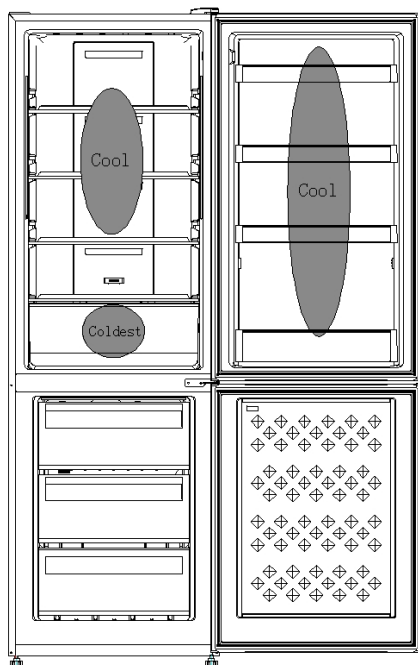
Onde guardar sua comida na geladeira

Área fria

É aqui que você deve armazenar alimentos que permanecerão por mais tempo se permanecerem frescos. Leite, ovos, iogurte, sumos de fruta, queijos duros, por ex. Queijo cheddar Frascos e garrafas de molhos de salada, molhos e compotas. Gorduras, ex. Manteiga, margarina, gorduras com baixo teor de gordura, gorduras para cozinhar e banha. Área de refrigeração: 2 °C a 5 °C

É aqui que os alimentos que devem ser frios devem ser mantidos para mantê-los seguros:

- Alimentos crus e crus devem sempre ser embrulhados.
- Alimentos refrigerados pré-cozinhados, ex. Pratos preparados, tortas de carne, queijos macios.
- Carnes pré-cozidas, por exemplo. Ham,
- Saladas preparadas (incluindo saladas verdes pré-embaladas, arroz, salada de batata, etc.).
- Sobremesas



Tigela de salada

Esta é a parte mais úmida da geladeira. Legumes, frutas, saladas frescas, por exemplo. Alface inteira não lavada, tomates inteiros, rabanetes, etc. Eles podem ser armazenados aqui.

RECOMENDAMOS QUE TODOS OS PRODUTOS MANTIDOS NA SALADA ESTÃO ENVOLVIDOS.

NOTA: Sempre embrulhe e armazene carne crua, frango e peixe na prateleira mais baixa na parte inferior do refrigerador. Isso evitará que pingem ou toquem outros alimentos. Não armazene gases ou líquidos inflamáveis no refrigerador.

Dicas para comprar alimentos congelados

Seu freezer é de 4 estrelas 

Ao comprar alimentos congelados, consulte as Diretrizes de Armazenamento de Embalagens. Você pode armazenar cada item de comida congelada durante o período mostrado em comparação com a classificação de 4 estrelas. Este é geralmente o período indicado como "Melhor, antes", que está na frente do pacote. Verifique a temperatura do refrigerador / congelador

Verifique a temperatura do armário de comida congelada na loja onde você compra seus alimentos congelados. Deve mostrar uma temperatura abaixo de -18 °C.

Escolha os pacotes com cuidado

Certifique-se de que o pacote de alimentos congelados esteja em perfeitas condições.

Compre alimentos congelados pela última vez

Sempre compre produtos congelados por último em sua viagem de compras ou visite o supermercado.

Mantenha refeições congeladas juntas

Tente manter os alimentos congelados juntos durante as compras e na viagem para casa, pois isso ajudará a manter os alimentos mais frescos.

Guarde a comida imediatamente

Não compre alimentos congelados, a menos que você possa congelá-los imediatamente. Sacos com isolamento especial podem ser comprados na maioria dos supermercados e lojas de ferragens. Estes mantêm comida congelada por mais tempo. Descongelar alimentos congelados

Para alguns alimentos, o descongelamento antes de cozinhar é desnecessário. Legumes e massas podem ser adicionados diretamente à água fervida ou cozida no vapor. Sopas e molhos congelados podem ser colocados em uma panela e aquecidos suavemente até descongelar.

Congelar alimentos frescos, dicas úteis

Use alimentos de qualidade e manuseie-os o mínimo possível. Congele os alimentos em pequenas quantidades, congele mais rápido, demore menos tempo a descongelar e deixe-o comer na quantidade que precisa.

Congelamento de alimentos frescos

Primeiro, calcule a quantidade de comida que vai congelar. Se você está congelando grandes quantidades de alimentos frescos, lembre-se de girar o dial de controle para Max. Isso reduzirá a temperatura no freezer (aproximadamente -30 °C), congelará os alimentos mais rapidamente e ajudará a manter a bondade. No entanto, você deve fazê-lo com moderação para economizar energia.

PREPARATIVOS PARA CONGELAMENTO

Deixe os alimentos cozidos esfriarem completamente.

Chill alimentos em geladeira antes de congelar, se possível.

Considere como você quer cozinhar a comida antes de congelá-la.

Não congelar alimentos em recipientes de metal, como você pode querer assar no microondas diretamente do freezer.

Use especiais para congelador bolsas disponíveis nos supermercados, filme congelador, sacos de polietileno, embalagens de plástico, folha de alumínio para alimentos ácidos (tais como de citrinos).

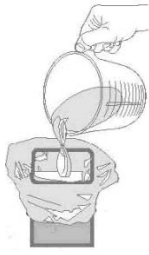
Não use filme fino ou vidro. Não use recipientes para alimentos usados (a menos que você os tenha limpado completamente).

Exclua o máximo de ar possível do contêiner. Você poderia comprar uma bomba de vácuo especial que absorva o ar excessivo da embalagem.

Deixe uma pequena quantidade de "espaço aéreo" ao congelar líquidos, para permitir a expansão.

Você pode usar o espaço no congelador de forma mais eficiente líquidos se congeladas (ou sólidos com líquidos, como ensopado) em blocos quadrados.

Isso é conhecido como "desempenho". Despeje o líquido em um saco de polietileno que esteja dentro de um recipiente de lado quadrado. Congele-o assim, retire-o do recipiente e feche o saco.



Defrost (descongelar)

Este aparelho foi concebido como descongelamento automático, não é necessário descongelar manualmente.

Períodos de armazenamento recomendados

Para o tempo de armazenamento recomendado, consulte as informações em seu pacote de alimentos.

Limpar dentro da geladeira / freezer

Você deve limpar a geladeira / freezer internamente com uma solução fraca de bicarbonato de sódio. Em seguida, enxágüe com água morna usando uma esponja ou um pano úmido e seque. Lave as cestas com água morna e sabão e verifique se estão completamente secas antes de colocá-las de volta na geladeira / freezer.

Limpar fora da geladeira / freezer

Use detergente padrão não abrasivo diluído em água morna para limpar a parte externa do refrigerador / freezer.

A grade do condensador na parte traseira do refrigerador / freezer e os componentes adjacentes podem ser aspirados usando um acessório de escova macia.

Não utilize produtos de limpeza, esfregões ou solventes fortes para limpar qualquer parte do frigorífico / congelador.

RESOLUÇÃO DE PROBLEMAS E MANUTENÇÃO

Solução de problemas

Corte de energia

Se a temperatura interna do compartimento do refrigerador / congelador for de -18°C ou menos quando a energia voltar, a comida estará segura. Os alimentos em sua geladeira / freezer permanecerão congelados por aproximadamente 16 horas com a porta fechada. Não abra a porta do refrigerador / congelador mais do que o necessário.

A geladeira / freezer é excepcionalmente fria

É possível que você acidentalmente tenha colocado a temperatura do refrigerador em uma posição mais alta.

A geladeira / freezer é excepcionalmente quente

O compressor pode não estar funcionando. Regule a temperatura do frigorífico para o valor máximo e aguarde alguns minutos. Se não houver um zumbido, não está funcionando.

Entre em contato com a loja local onde você fez sua compra.

A geladeira / freezer não funciona

Verifique se está conectado e ligado. Verifique se o fusível no plugue não está queimado. Plug

Em outro dispositivo, como uma lâmpada, para ver se o soquete está funcionando. O refrigerador / freezer deve ser colocado em uma sala bem ventilada, com temperatura ambiente entre 16 °C e 32 °C. Deixe a geladeira / freezer por 30 minutos.

A condensação aparece do lado de fora da geladeira / freezer

Isto pode ser devido a uma mudança na temperatura ambiente. Limpe qualquer resíduo de umidade. Se o problema persistir, entre em contato com a loja local onde você fez a compra.

Ruídos

Esses ruídos são causados pela circulação do líquido de resfriamento no sistema de resfriamento. Tornou-se mais pronunciada desde a introdução dos gases livres de CFC. Isso não é uma falha e não afetará o desempenho da sua geladeira / freezer.

Serviço

Este produto deve ser reparado por um engenheiro autorizado e somente peças sobressalentes originais devem ser usadas.

Sob nenhuma circunstância você deve tentar reparar o dispositivo por conta própria.

Reparos realizados por pessoas inexperientes podem causar ferimentos ou mau funcionamento grave. Entre em contato com a loja local onde você fez sua compra.

Quando o aparelho não estiver em uso por períodos prolongados, desconecte-o da fonte de alimentação, esvazie todos os alimentos e limpe o aparelho, deixando a porta entreaberta para evitar odores desagradáveis.

Substituição da lâmpada

A luz LED é usada neste aparelho, que tem baixo consumo de energia e longa vida útil.

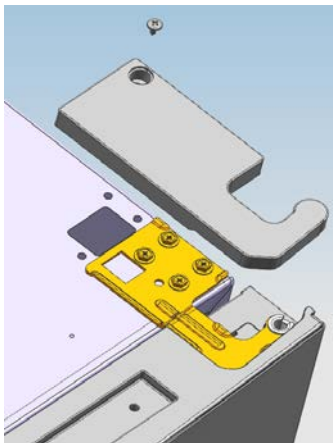
Se algo estiver anormal, entre em contato com o serviço de pós-venda para obter ajuda.

Inverta o balanço da porta

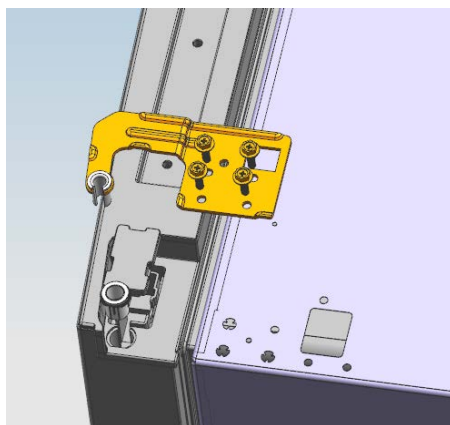
—: Remova a porta do refrigerador / congelador

1. a. Use uma ferramenta para remover o parafuso da tampa da dobradiça e, em seguida, remova o último.

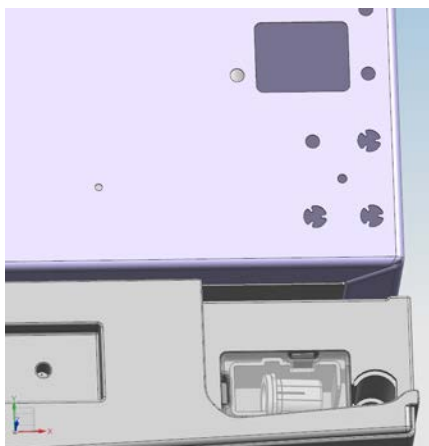
Insira a linha de comunicação no orifício na parte superior do gabinete.



b. Use uma ferramenta para remover os 4 parafusos do topo. Levante a tampa da porta e pequena tampa na porta

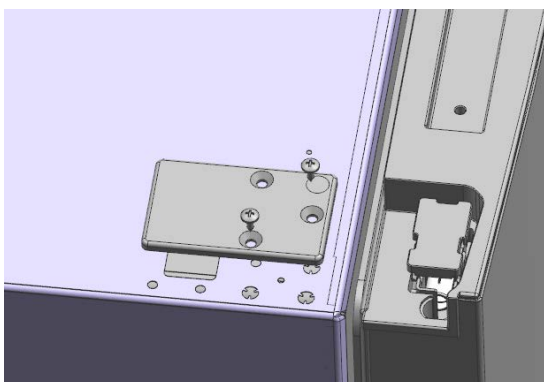


c. Insira a tampa da porta e a linha de comunicação da porta no orifício da porta e, em seguida, coloque a tampa na tampa pequena.

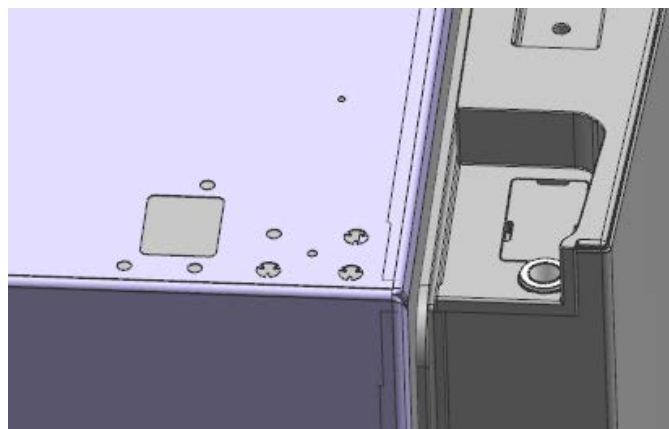


d. Use uma ferramenta para remover os 2 parafusos conforme mostrado na figura abaixo para remover a tampa do orifício na parte superior do gabinete e remover a linha de comunicação do gabinete do orifício.

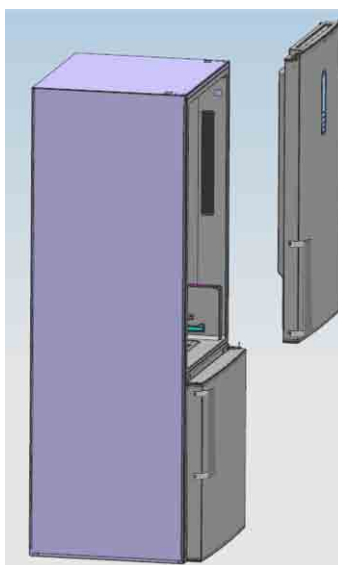
Levante a tampa da pequena tampa da porta e saia do casquilho da porta e da linha de comunicação da porta.



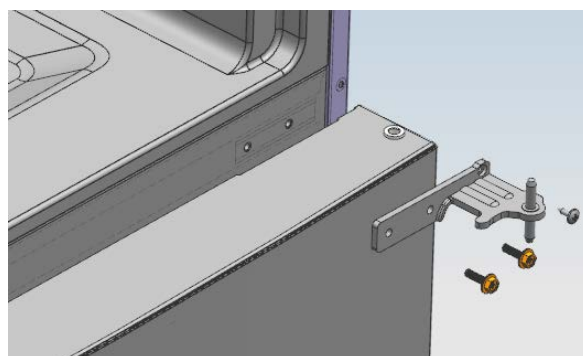
e. Insira a tampa da porta no orifício redondo da porta e, em seguida, coloque a tampa na tampa pequena.



f. Mova a porta da geladeira mais de 50 mm para remover a porta.



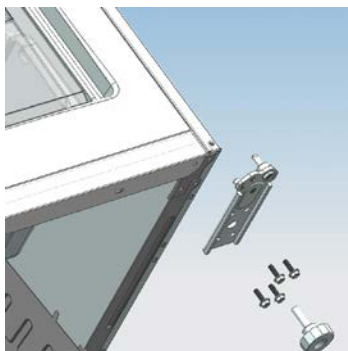
1. a. Use uma ferramenta para remover os 3 parafusos da tampa da dobradiça do meio e, em seguida, remova a dobradiça do meio.



b. mova a porta do freezer mais de 50 mm para remover a porta.



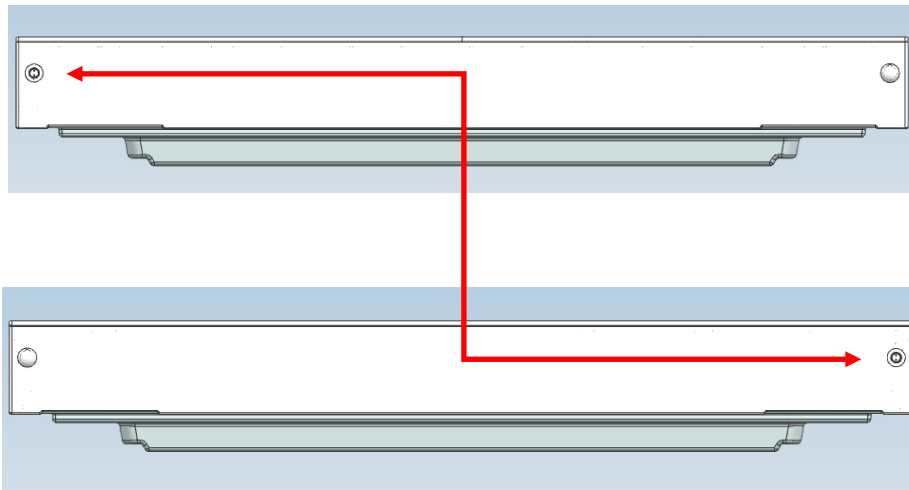
c. Remova os pés dianteiros ajustáveis abaixo da dobradiça inferior; use uma ferramenta para remover os 4 parafusos da dobradiça inferior e depois remova a dobradiça inferior.



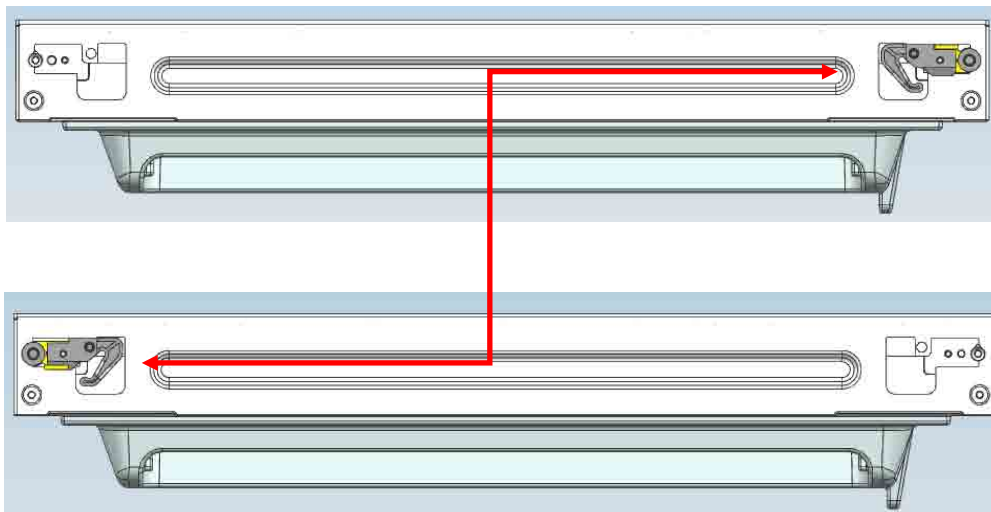
O desmantelamento da porta está terminado.



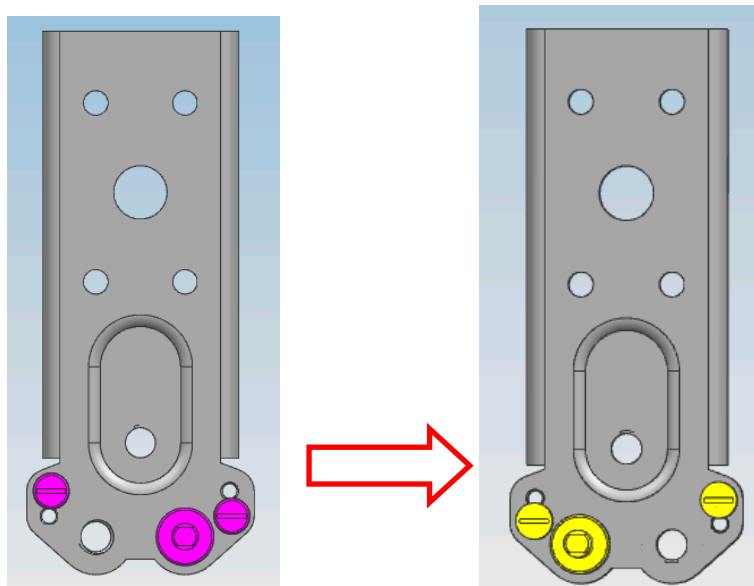
1. 二: Monte a porta, abaixe os acessórios da dobradiça para as posições correspondentes no outro lado.
2. a. Use uma ferramenta para remover a bucha da porta como mostrado na figura abaixo e monte-a na posição correspondente no outro lado.



b. Use uma ferramenta para remover os parafusos da alça de parada, conforme mostrado na figura abaixo, e arme-os no outro lado da porta.

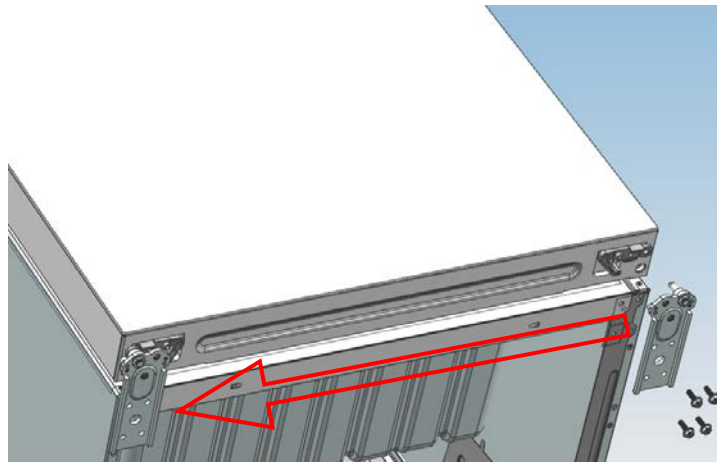


c. Use uma ferramenta para remover o eixo e os dois plugues na dobradiça inferior e, em seguida, coloque-os na posição mostrada na figura abaixo.

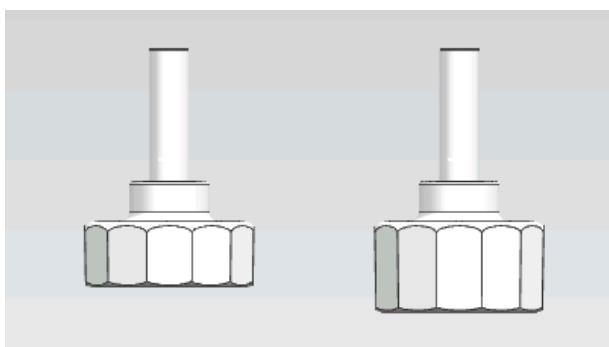


≡: Monte a porta da geladeira e a porta do freezer no lado oposto.

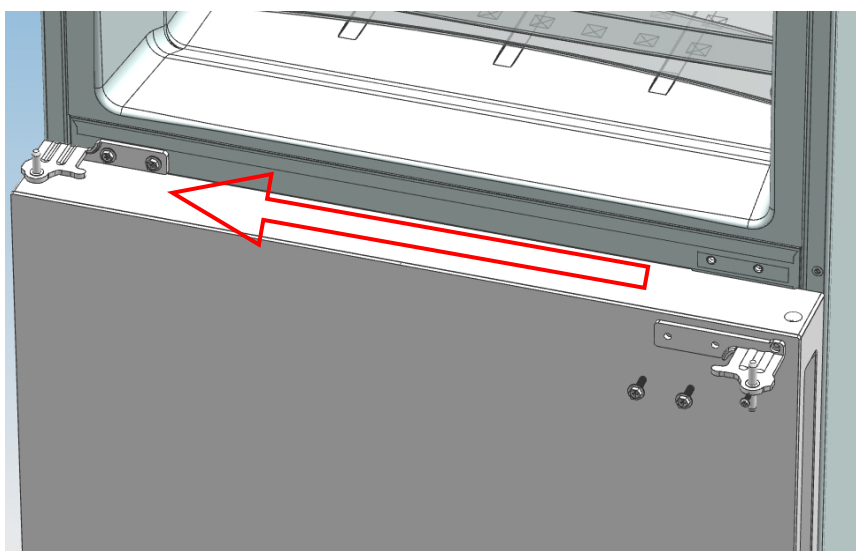
1, a. Remova o pé dianteiro ajustável à mão como mostrado abaixo e monte o abaixe a dobradiça do outro lado do gabinete e fixe os parafusos com uma ferramenta.



b. Monte o pé dianteiro ajustável mais curto na parte inferior da dobradiça e ajuste a altura do pé para que o refrigerador permaneça nivelado.



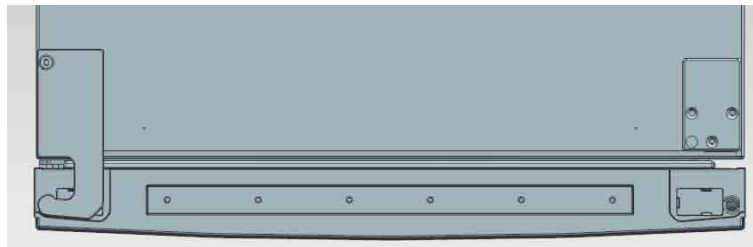
2, coloque a porta do freezer e gire a meia articulação 180 ° e, em seguida, arme-a no outro lado do gabinete; use uma ferramenta para apertar os 3 parafusos para fixar a dobradiça do meio.



3, coloque a porta da geladeira e monte a dobradiça superior esquerda no outro lado do gabinete; use uma ferramenta para apertar os 4 parafusos para fixar a dobradiça superior.

Depois disso, conecte a linha de comunicação da porta e a linha de comunicação do gabinete e, em seguida, coloque a tampa superior esquerda da dobradiça e fixe-a com um parafuso.

4, monte a tampa do orifício no outro lado do gabinete e use uma ferramenta para parafusar a tampa do orifício.

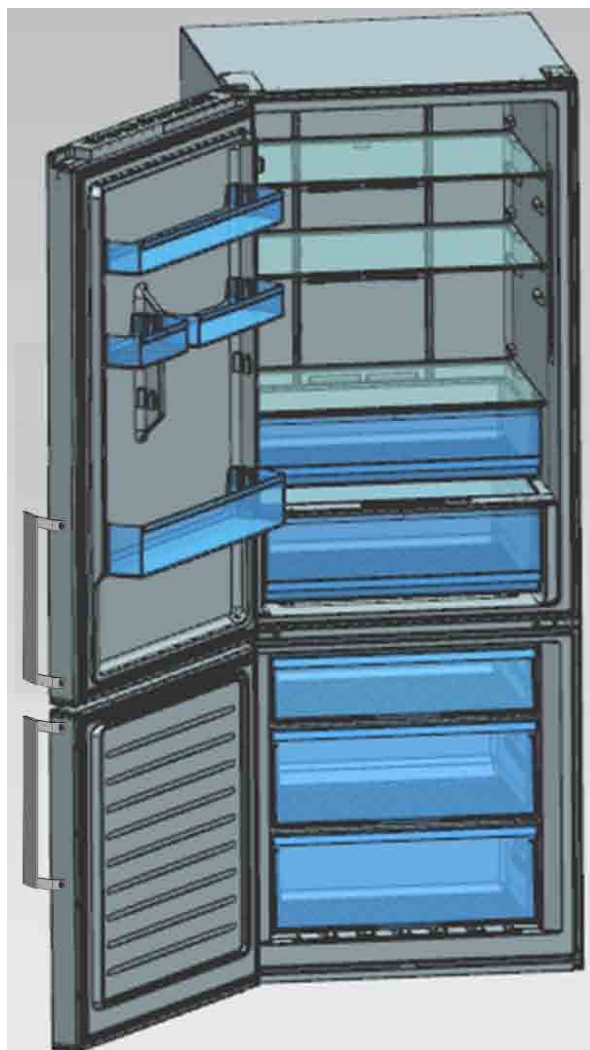


O desmantelamento da porta está terminado aqui.

Na figura a seguir você pode ver que a porta se abre da direita



Na figura a seguir você pode ver que a porta se abre da direita



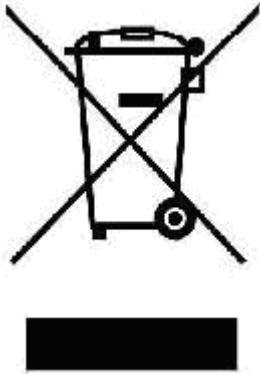
Verifique se a porta está alinhada corretamente e se todas

As vedações estão fechadas por todos os lados. Se necessário, reajuste os pés de nivelamento.

OBSERVAÇÃO: Se você quiser que a porta se balance, recomendamos que você entre em contato com um técnico qualificado. Você só deve tentar inverter a porta se achar que está qualificado para isso.

Todas as peças removidas devem ser salvas para reinstalar a porta. Você deve apoiar o freezer em algo sólido para que ele não deslize durante o processo de troca de porta. Não coloque o refrigerador de modo que possa danificar o sistema de arrefecimento. Verifique se o freezer está desconectado e vazio. Recomendamos que 2 pessoas manuseiem a geladeira durante a montagem.

Remoção correta deste produto



Esta marca indica que este produto não deve ser eliminado juntamente com outros resíduos domésticos em toda a UE. Para evitar possíveis danos ao meio ambiente ou à saúde humana devido à eliminação descontrolada de resíduos, recicle-os de forma responsável para promover a reutilização sustentável dos recursos materiais. Para devolver seu dispositivo usado, use os sistemas de devolução e coleta ou entre em contato com o fornecedor onde adquiriu o produto. Você pode levar este produto para uma reciclagem ambiental segura.

SVAN TRADING S.L.
C/Ciudad de Cartagena,20. Paterna (46988) SPAIN.
info@svanelectro.com